



MEASUREMENT SOLUTION PROVIDER



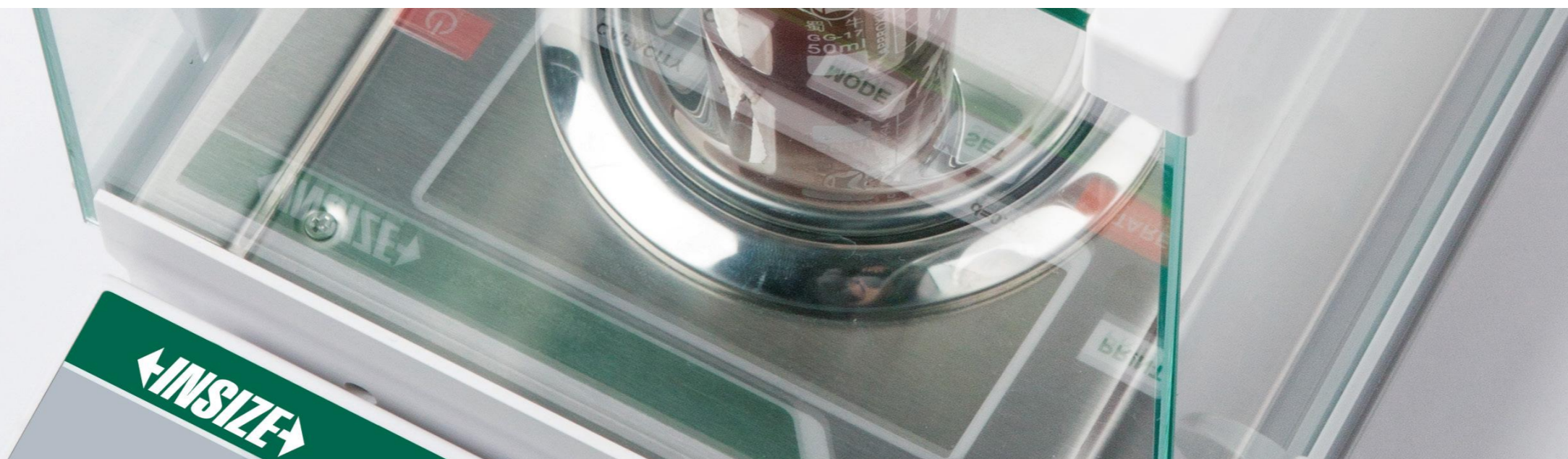
SCALES & BALANCES

CATALOGUE NO. SC-E01

Laboratory Electronic Balances

Microscopic insights for scientific research

- » Positioning: Laboratory-grade ultra-precision weighing instruments
- » Core Advantage: Extreme Precision and Functional Expandability

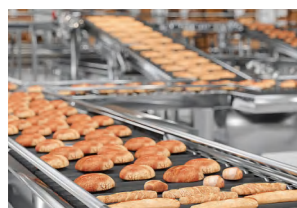


Application scenarios :



» Pharmaceutical industry

In the pharmaceutical quality inspection process, electronic balances provide highly accurate weighing data through digital display and data logging functions, reducing human error. Its dust-proof, moisture-proof and clean and hygienic features make it an ideal choice for pharmaceutical weighing and testing.



» Food industry

Food processing and inspection requires accurate weighing and measurement to ensure product quality and safety. The high accuracy and digitization capabilities of electronic balances can improve productivity and product quality.



» Scientific research

Electronic balances are commonly used for precise measurement of reagent ratios and excipients to ensure the accuracy and reliability of experiments.



» Higher education laboratories

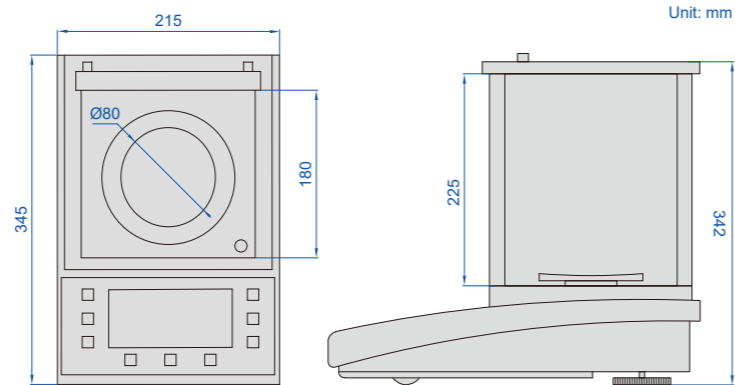
With the high demand for accuracy and certainty in university laboratories, electronic balances have become an important tool in substance detection, analysis and chemistry experiments.

INSIZE Quick-Finder:

Resolution (d)	Maximum weighing	Verification interval (e)	Internal calibration	Display screen	Wind shield	Dimension of pan	Code
0.0001g	60g	0.001g		LCD	√	Ø80mm	8311-60
0.0001g	120g	0.001g		LCD	√	Ø80mm	8311-120
0.0001g	220g	0.001g		LCD	√	Ø80mm	8311-220
0.001g	220g	0.01g	√	Touchscreen	√	Ø90mm	8102-220
0.001g	220g	0.01g		LCD	√	Ø80mm	8303-220
0.001g	220g	0.01g	√	Touchscreen	√	Ø90mm	8319-220
0.001g	320g	0.01g	√	Touchscreen	√	Ø90mm	8102-320
0.001g	320g	0.01g		LCD	√	Ø80mm	8303-320
0.001g	320g	0.01g	√	Touchscreen	√	Ø90mm	8319-320
0.001g	520g	0.01g	√	Touchscreen	√	Ø90mm	8102-520
0.001g	520g	0.01g		LCD	√	Ø80mm	8303-520
0.001g	520g	0.01g	√	Touchscreen	√	Ø90mm	8319-520
0.001g	620g	0.01g	√	Touchscreen	√	Ø90mm	8102-620
0.001g	620g	0.01g		LCD	√	Ø80mm	8303-620
0.001g	620g	0.01g	√	Touchscreen	√	Ø90mm	8319-620
0.001g	1020g	0.01g	√	Touchscreen	√	Ø120mm	8102-1020
0.001g	1020g	0.01g		LCD	√	Ø120mm	8303-1020
0.001g	1020g	0.01g	√	Touchscreen	√	Ø120mm	8319-1020
0.001g	1520g	0.01g	√	Touchscreen	√	Ø120mm	8102-1520
0.001g	1520g	0.01g		LCD	√	Ø120mm	8303-1520
0.001g	1520g	0.01g	√	Touchscreen	√	Ø120mm	8319-1520
0.001g	2020g	0.01g		LCD	√	Ø120mm	8303-2020
0.01g	300g	0.1g		LED	√	Ø135mm	8301-300
0.01g	600g	0.1g		LED	√	Ø135mm	8301-600
0.01g	1200g	0.1g		LED	√	Ø135mm	8301-1200
0.01g	2000g	0.1g		LCD		205×190mm	8305-2000
0.01g	3000g	0.1g		LCD		205×190mm	8305-3000
0.01g	5000g	0.1g		LCD		205×190mm	8305-5000
0.01g	6000g	0.1g		LCD		205×190mm	8305-6000
0.1g	3000g	1g		LED		190×160mm	8301-3000
0.1g	6000g	1g		LED		190×160mm	8301-6000



8311-220



Unit: mm



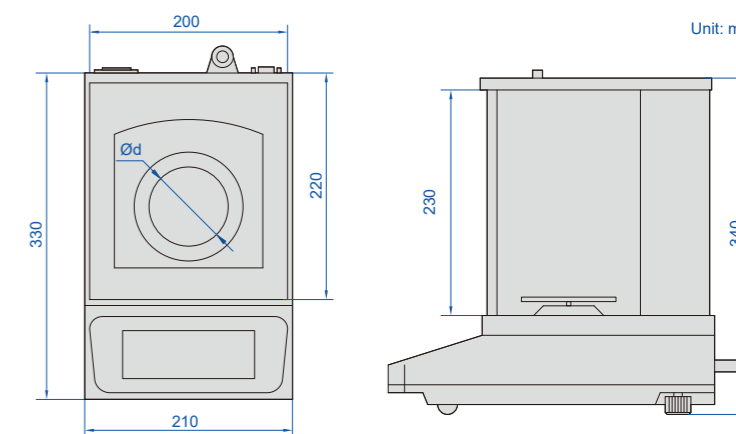
class F1 calibration weight (included)



printer (optional)



8319-320



Unit: mm



class F1 calibration weight (included)



printer (optional)

ELECTRONIC ANALYTICAL BALANCES (BASIC TYPE)

DATA OUTPUT

- Downward-mounted electromagnetic sensor
- All aluminum alloy base, wind shield, three side glass sliding doors
- Weighing, simple counting, taring
- LCD display, with backlight
- Data output
- Unit: g, ct, oz, ozt
- With a hook at the bottom

SPECIFICATION

Code	8311-60	8311-120	8311-220
Maximum weighing	60g	120g	220g
Minimum weighing	10mg	10mg	10mg
Resolution (d)	0.1mg	0.1mg	0.1mg
Verification interval (e)	1mg	1mg	1mg
Repeatability	±0.5mg		
Linearity	±0.5mg		
Stabilization time	2.5s		
Output	RS232		
Weighing pan size (Ød)	Ø80mm		
Operation temperature	10~30°C		
Operation humidity	20~85%RH		
Power supply	power adapter (12V/1A)		
Dimension (L×W×H)	345×215×342mm		

OPTIONAL ACCESSORY

RS232 cable	8311-CABLE
Printer	8311-PRINTER

ELECTRONIC PRECISION BALANCES

DATA OUTPUT TOUCH SCREEN INTERNAL CALIBRATION

- Built-in calibration weights, automatic internal calibration
- Large touchscreen display
- Weighing, counting, taring, percentage display, density detection
- Aluminum alloy shell, wind shield, three side glass sliding doors
- Unit: g, ct, ozt, oz, gn, dwt, mg
- Electromagnetic balanced sensor
- With a hook at the bottom
- Data output



SPECIFICATION

Code	8319-220	8319-320	8319-520	8319-620	8319-1020	8319-1520
Maximum weighing	220g	320g	520g	620g	1020g	1520g
Minimum weighing	20mg	20mg	100mg	100mg	100mg	100mg
Resolution (d)	1mg	1mg	1mg	1mg	1mg	1mg
Verification interval (e)	10mg	10mg	10mg	10mg	10mg	10mg
Accuracy (m is load)	m≤50g: ±5mg 50g<m≤200g: ±10mg m>200g: ±15mg		m≤500g: ±5mg m>500g: ±10mg			
Weighing pan size (Ød)	Ø90mm				Ø120mm	
Operation temperature	15~30°C		18~23°C			
Operation humidity	40~80%RH		50~70%RH			
Power supply	220V, 50/60Hz					
Dimension (L×W×H)	330×210×340mm					

STANDARD DELIVERY

Main unit	1 pc
Calibration weight	1 pc

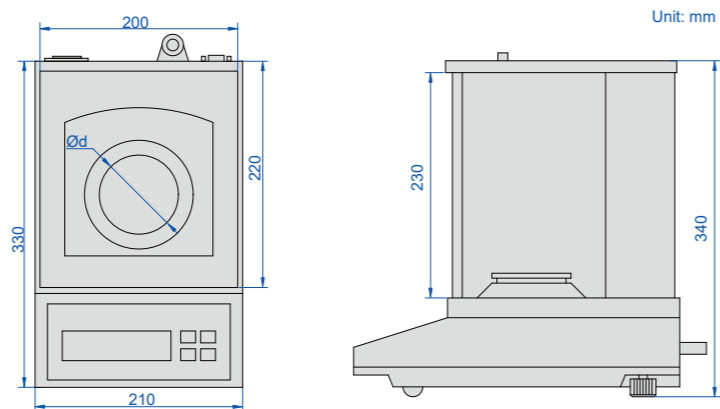
OPTIONAL ACCESSORY

RS232 cable	8301-CABLE *
Printer	8303-PRINTER
Data output cable (keyboard format)	7302-8001
Wireless transmitter (receiver is needed)	7315-8301

*Used to connect with computers



8303-520



Unit: mm



class F1 calibration weight (included)



printer (optional)

ELECTRONIC PRECISION BALANCES

DATA OUTPUT

- Electromagnetic balanced sensor
- Aluminum alloy shell, wind shield, three side glass sliding doors
- Data output
- Unit: g, ct, ozt, oz, gn, dwt, mg
- Weighing, counting, taring
- With a hook at the bottom

SPECIFICATION

Code	8303-220	8303-320	8303-520	8303-620	8303-1020	8303-1520	8303-2020
Maximum weighing	220g	320g	520g	620g	1020g	1520g	2020g
Minimum weighing	20mg	20mg	100mg	100mg	100mg	100mg	100mg
Resolution (d)	1mg	1mg	1mg	1mg	1mg	1mg	1mg
Verification interval (e)	10mg	10mg	10mg	10mg	10mg	10mg	10mg
Accuracy (m is load)	m≤50g: ±5mg 50g<m≤200g: ±10mg m>200g: ±15mg		m≤500g: ±5mg 500g<m≤2000g: ±10mg m>2000g: ±15mg			m≤500g: ±5mg 500g<m≤2000g: ±10mg m>2000g: ±15mg	
Weighing pan size (Ød)	Ø80mm				Ø120mm		
Operation temperature	15~30°C		18~23°C				
Operation humidity	40~80%RH		50~70%RH				
Power supply	220V, 50/60Hz						
Dimension (L×W×H)	330×210×340mm						

OPTIONAL ACCESSORY

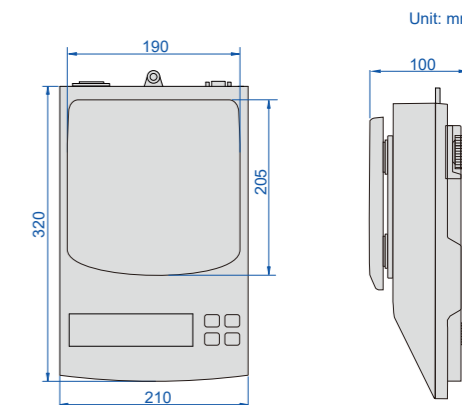
RS232 cable	8301-CABLE *
Printer	8303-PRINTER
Data output cable (keyboard format)	7302-8001
Wireless transmitter (receiver is needed)	7315-8301

*Used to connect with computers

POPULAR MODEL



8305-5000



Unit: mm



calibration weight (included in 8305-2000 and 8305-3000)



printer (optional)

ELECTRONIC BALANCES (STANDARD TYPE)

DATA OUTPUT

- LCD with backlight
- Unit: g, ct, ozt, oz, GN, dwt, lb, kg
- Weighing, counting, taring
- With a hook at the bottom
- Data output



SPECIFICATION

Code	8305-2000	8305-3000	8305-5000	8305-6000
Maximum weighing	2kg	3kg	5kg	6kg
Minimum weighing	0.5g	0.5g	0.5g	0.5g
Resolution (d)	0.01g	0.01g	0.01g	0.01g
Verification interval (e)	0.1g	0.1g	0.1g	0.1g
Accuracy (m is load)	m≤0.5kg: ±0.05g; 0.5kg<m≤2kg: ±0.1g	m≤0.5kg: ±0.05g; 0.5kg<m≤2kg: ±0.1g m>2kg: ±0.15g	m≤0.5kg: ±0.05g; 0.5kg<m≤2kg: ±0.1g m>2kg: ±0.15g	m≤0.5kg: ±0.05g; 0.5kg<m≤2kg: ±0.1g m>2kg: ±0.15g
Weighing pan size	205×109mm			
Output	RS232			
Operation temperature	0~40°C			
Operation humidity	≤80%RH			
Power supply	220V, 50/60Hz			
Dimension (L×W×H)	320×210×100mm			

OPTIONAL ACCESSORY

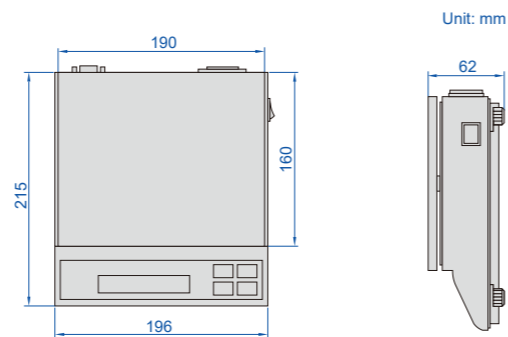
RS232 cable	8301-CABLE *
Printer	8303-PRINTER
Data output cable (keyboard format)	7302-8001
Wireless transmitter (receiver is needed)	7315-8301

*Used to connect with computers

POPULAR MODEL



8301-3000



Unit: mm

wind shield
(included in 8301-300, 8301-600 and 8301-1200)calibration weight
(included in 8301-300, 8301-600 and 8301-1200)

ELECTRONIC BALANCES

DATA OUTPUT

- Automatic zero when power on
- Unit: g (gram), ct (carat), ozt (troy ounce)
- Weighing, counting, taring
- Overload alarm
- Data output

SPECIFICATION

Code	8301-300	8301-600	8301-1200	8301-3000	8301-6000
Maximum weighing	300g	600g	1200g	3000g	6000g
Minimum weighing	0.2g	0.2g	0.2g	2g	2g
Resolution (d)	0.01g	0.01g	0.01g	0.1g	0.1g
Verification interval (e)	0.1g	0.1g	0.1g	1g	1g
Accuracy (m is load)	m≤50g: ±0.05g; 50g<m≤200g: ±0.1g; m>200g: ±0.15g		m≤500g: ±0.05g; m>500g: ±0.1g	m≤500g: ±0.5g; 500g<m≤2000g: ±1g; m>2000g: ±1.5g	
Weighing pan size	Ø135mm			190×160mm	
Operation temperature	0~40°C				
Operation humidity	≤80%RH				
Power supply	220V, 50/60Hz				
Dimension (L×W×H)	215×196×62mm				

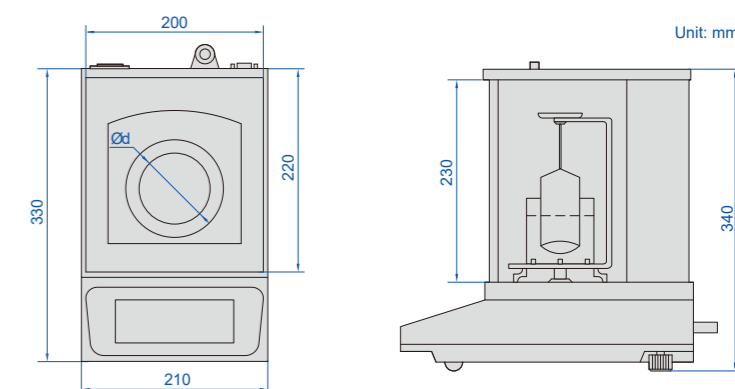
OPTIONAL ACCESSORY

RS232 cable	8301-CABLE*
Data output cable (keyboard format)	7302-8001
Wireless transmitter (receiver is needed)	7315-8301

*Used to connect with computers



8102-320



Unit: mm

density accessories (included)



ELECTRONIC DENSITY BALANCES

DATA OUTPUT

- Electromagnetic balanced sensor
- Suitable for measuring the density of solids and liquids
- Aluminium alloy shell, wind shield, three side glass sliding doors
- With a hook at the bottom
- Weighing, counting, taring, percentage display
- Built-in calibration weights, automatic internal calibration
- Unit: g, ct, ozt, oz, gn, dwt, mg
- Large touchscreen display
- Data output



VIDEO

SPECIFICATION

Code	8102-220	8102-320	8102-520	8102-620	8102-1020	8102-1520
Maximum weighing	220g	320g	520g	620g	1020g	1520g
Minimum weighing	20mg	20mg	100mg	100mg	100mg	100mg
Resolution (d)	1mg	1mg	1mg	1mg	1mg	1mg
Verification interval (e)	10mg	10mg	10mg	10mg	10mg	10mg
Accuracy (m is load)	m≤50g: ±5mg; 50g<m≤200g: ±10mg; m>200g: ±15mg		m≤500g: ±5mg; m>500g: ±10mg			
Weighing pan size (Ød)	Ø90mm				Ø120mm	
Operation temperature	15~30°C		18~23°C			
Operation humidity	40~80%RH		50~70%RH			
Power supply	220V, 50/60Hz					
Dimension (L×W×H)	330×210×340mm					

STANDARD DELIVERY

Main unit	1 pc
Calibration weight	1 pc
Density accessories	1 set

OPTIONAL ACCESSORY

RS232 cable	8301-CABLE*
Printer	8303-PRINTER
Data output cable (keyboard format)	7302-8001
Wireless transmitter (receiver is needed)	7315-8301
Infrared and penetration thermometer	0321-IT42

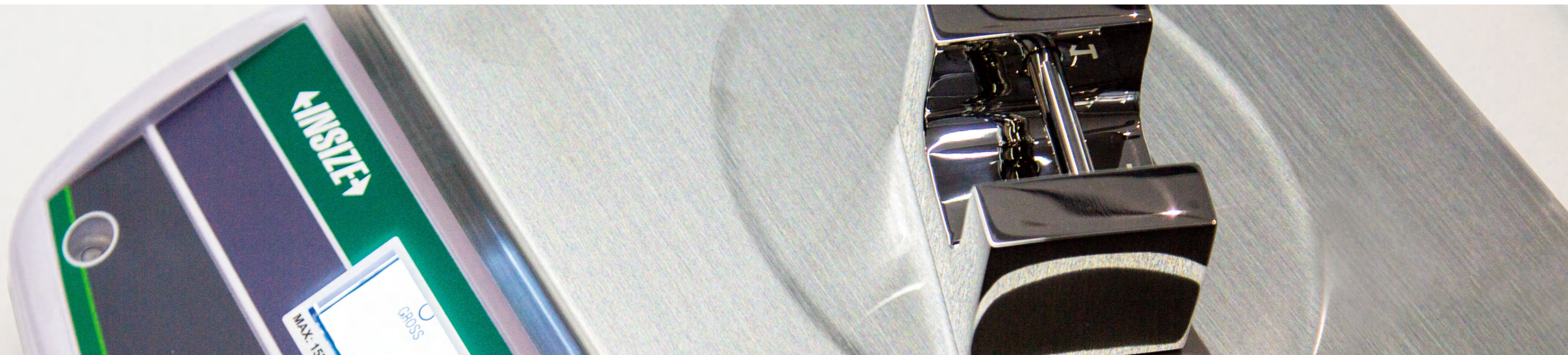
*Used to connect with computers



Industrial Electronic Balances

Precision guards in efficient production

- » Positioning: High precision weighing equipment for industrial production scenarios
- » Core Advantage: Balance of stability and environmental adaptability



Application scenarios :



» Manufacturing industries

In the production of automotive parts and electronic components, industrial balances are used for raw material proportioning and sampling of finished products to ensure that product quality meets ISO standards.



» Logistics industry

Industrial scales play an important role in logistics sorting. The express delivery industry relies on high-precision scales to achieve automatic sorting calculations and optimize loading solutions.



» Laboratory & Medical

In drug research and development, high-precision industrial balances are used to accurately weigh chemical reagents and drug components to ensure the accuracy and repeatability of experiments. In the medical field, high-precision balances are used to accurately control dialysis fluid and nutrient configuration to ensure patient safety.



» Food industry

Electronic balances are used in food production and processing for accurate weighing and measurement to ensure product quality and safety. Its high precision and digitalization function can effectively improve production efficiency and product quality.

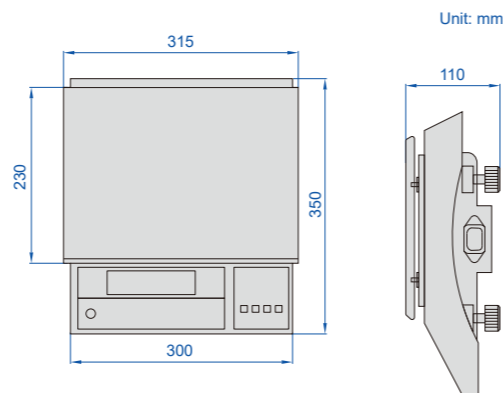
INSIZE Quick-Finder :

Resolution (d)	Maximum weighing	Verification interval (e)	Dimension of pan	Code	Resolution (d)	Maximum weighing	Verification interval (e)	Dimension of pan	Code
0.05g	16kg	0.1g	360×250mm	8309-16A	0.2g	6kg	1g	300×225mm	8307-6KB
0.05g	20kg	0.1g	360×250mm	8309-20A	0.2g	15kg	1g	300×225mm	8307-15KA
0.05g	30kg	0.1g	360×250mm	8309-30A	0.2g	30kg	1g	300×225mm	8307-30K
0.05g	35kg	0.1g	360×250mm	8309-35A	0.5g	3kg	1g	300×225mm	8308-3KA
0.1g	3kg	1g	300×225mm	8307-3KB	0.5g	6kg	1g	300×225mm	8308-6KA
0.1g	3kg	1g	300×225mm	8308-3K	0.5g	15kg	1g	300×225mm	8308-15K
0.1g	3kg	1g	300×205mm	8106-3KG	1g	10kg	10g	315×230mm	8306-10
0.1g	5kg	1g	315×230mm	8306-5A	1g	10kg	10g	315×230mm	8306-10D
0.1g	5kg	1g	315×230mm	8306-5AD	1g	10kg	10g	300×225mm	8308-10K
0.1g	6kg	1g	300×225mm	8307-6KA	1g	10kg	10g	300×205mm	8106-10KG
0.1g	6kg	1g	300×225mm	8308-6K	1g	15kg	10g	315×230mm	8306-15
0.1g	6kg	1g	300×205mm	8106-6KG	1g	15kg	10g	315×230mm	8306-15D
0.1g	10kg	1g	315×230mm	8306-10A	1g	15kg	10g	300×225mm	8308-15KA
0.1g	10kg	1g	315×230mm	8306-10AD	1g	20kg	10g	315×230mm	8306-20
0.1g	10kg	1g	300×225mm	8308-10KB	1g	20kg	10g	315×230mm	8306-20D
0.1g	15kg	1g	315×230mm	8306-15A	1g	20kg	10g	300×225mm	8308-20K
0.1g	15kg	1g	315×230mm	8306-15AD	1g	20kg	10g	300×205mm	8106-20KG
0.1g	15kg	1g	300×225mm	8307-15K	1g	30kg	10g	315×230mm	8306-30
0.1g	16kg	1g	360×250mm	8309-16	1g	30kg	10g	315×230mm	8306-30D
0.1g	20kg	1g	315×230mm	8306-20A	1g	30kg	10g	300×225mm	8307-30KB
0.1g	20kg	1g	315×230mm	8306-20AD	1g	30kg	10g	300×225mm	8308-30K
0.1g	20kg	1g	300×225mm	8308-20KB	1g	30kg	10g	300×205mm	8106-30KG
0.1g	20kg	1g	360×250mm	8309-20	5g	30kg	10g	300×225mm	8308-30KA
0.1g	30kg	1g	300×225mm	8308-30KB					
0.1g	30kg	1g	360×250mm	8309-30					
0.1g	35kg	1g	360×250mm	8309-35					

POPULAR MODEL



8306-20AD

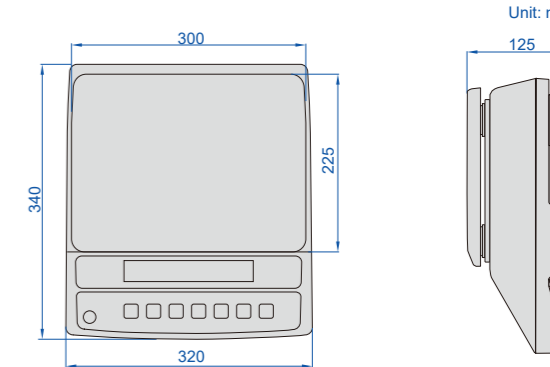


printer (optional)

Unit: mm



8307-15K



printer (optional)



alarm light (optional)

Unit: mm

INDUSTRIAL ELECTRONIC BALANCES (BASIC TYPE)

- Double weighing pan in stainless steel and plastic
- Weighing, simple counting, taring
- Strain balanced sensor
- LCD display, with backlight
- Unit: g, lb, ct, oz
- Overload alarm



VIDEO

Code	Maximum weighing	Resolution (d)	Minimum weighing	Verification interval (e)	Number of verification interval (n)	Accuracy (m is load)	Output
8306-10	10kg	1g	20g	10g	1000	m≤5kg: ±5g; m>5kg: ±10g	no
8306-15	15kg	1g	20g	10g	1500	m≤5kg: ±5g; m>5kg: ±10g	
8306-20	20kg	1g	20g	10g	2000	m≤5kg: ±5g; m>5kg: ±10g	
8306-30	30kg	1g	20g	10g	3000	m≤5kg: ±5g; 5kg<m≤20kg: ±10g; m>20kg: ±15g	
8306-5A	5kg	0.1g	5g	1g	5000	±0.5g	
8306-10A	10kg	0.1g	5g	1g	10000	m≤5kg: ±0.5g; m>5kg: ±1g	
8306-15A	15kg	0.1g	5g	1g	15000	m≤5kg: ±0.5g; m>5kg: ±1g	
8306-20A	20kg	0.1g	5g	1g	20000	m≤5kg: ±0.5g; m>5kg: ±1g	
8306-10D	10kg	1g	20g	10g	1000	m≤5kg: ±5g; m>5kg: ±10g	
8306-15D	15kg	1g	20g	10g	1500	m≤5kg: ±5g; m>5kg: ±10g	
8306-20D	20kg	1g	20g	10g	2000	m≤5kg: ±5g; m>5kg: ±10g	RS232
8306-30D	30kg	1g	20g	10g	3000	m≤5kg: ±5g; 5kg<m≤20kg: ±10g; m>20kg: ±15g	
8306-5AD	5kg	0.1g	5g	1g	5000	±0.5g	
8306-10AD	10kg	0.1g	5g	1g	10000	m≤5kg: ±0.5g; m>5kg: ±1g	
8306-15AD	15kg	0.1g	5g	1g	15000	m≤5kg: ±0.5g; m>5kg: ±1g	
8306-20AD	20kg	0.1g	5g	1g	20000	m≤5kg: ±0.5g; m>5kg: ±1g	

SPECIFICATION

Operation temperature	-10~40°C
Operation humidity	≤85%RH
Dimension of pan	315×230mm
Power supply	rechargeable lead acid battery (6V/4Ah)
Stabilization time	≤2s

OPTIONAL ACCESSORY (for scales with RS232)

RS232 cable	8306-CABLE *
Printer	8306-PRINTER

*Used to connect with computers

INDUSTRIAL ELECTRONIC BALANCES

DATA OUTPUT

- Zero-setting, weighing, counting, checking alarm
- Subtracting tare value, accumulation, percentage display
- Overload alarm
- LCD display, with backlight
- Automatic power off
- Data output
- Unit: kg, lb, g, oz, t(ola)



VIDEO

Code	Maximum weighing	Resolution (d)	Minimum weighing	Verification interval (e)	Number of verification interval (n)	Accuracy (m is load)
8307-15K	15kg	0.1g	5g	1g	15000	m≤5kg: ±0.5g; m>5kg: ±1g
8307-30K	30kg	0.2g	10g	1g	30000	m≤5kg: ±0.5g; 5kg<m≤20kg: ±1g; m>20kg: ±1.5g
8307-6KA	6kg	0.1g	5g	1g	6000	m≤5kg: ±0.5g; m>5kg: ±1g
8307-15KA	15kg	0.2g	10g	1g	15000	m≤5kg: ±0.5g; m>5kg: ±1g
8307-3KB	3kg	0.1g	2g	1g	3000	m≤500g: ±0.5g; 500g<m≤2kg: ±1g; m>2kg: ±1.5g
8307-6KB	6kg	0.2g	10g	1g	6000	m≤5kg: ±0.5g; m>5kg: ±1g
8307-30KB	30kg	1g	20g	10g	3000	m≤5kg: ±5g; 5kg<m≤20kg: ±10g; m>20kg: ±15g

SPECIFICATION

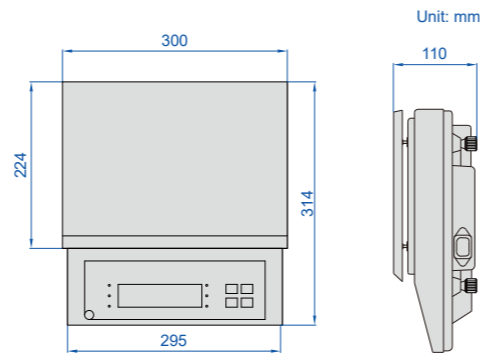
Operation temperature	-10~40°C
Operation humidity	30~80%RH
Dimension of pan	300×225mm
Power supply	rechargeable lead acid battery (6V/4Ah)
Output	RS232

OPTIONAL ACCESSORY

Alarm light	8001-ALARM
Printer	8001-PRINTER
Data output cable (keyboard format)	7302-8001
Wireless transmitter (receiver is needed)	7315-8001



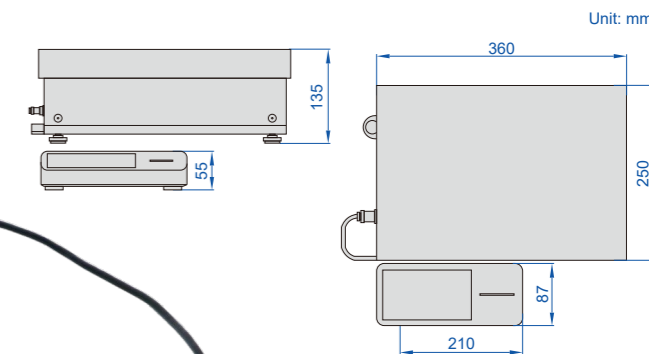
8308-30KB



printer (optional)



8309-35



printer (optional)



charge pal (optional)

INDUSTRIAL ELECTRONIC BALANCES

DATA OUTPUT

- Double weighing pan in stainless steel and plastic
- Automatic calibration, zero tracking, weighing, counting, taring
- Aluminium alloy base

- Strain balanced sensor
- Data output
- Unit: kg, lb



Code	Maximum weighing	Resolution (d)	Minimum weighing	Verification interval (e)	Number of verification interval (n)	Accuracy (m is load)
8308-3K	3kg	0.1g	2g	1g	3000	m≤500g: ±0.5g; 500g<m≤2kg: ±1g; m>2kg: ±1.5g
8308-6K	6kg	0.1g	2g	1g	6000	m≤500g: ±0.5g; 500g<m≤2kg: ±1g; m>2kg: ±1.5g
8308-10K	10kg	1g	20g	10g	1000	m≤5kg: ±5g; m>5kg: ±10g
8308-15K	15kg	0.5g	25g	1g	15000	m≤5kg: ±0.5g; m>5kg: ±1g
8308-20K	20kg	1g	20g	10g	2000	m≤5kg: ±5g; m>5kg: ±10g
8308-30K	30kg	1g	20g	10g	3000	m≤5kg: ±5g; 5kg<m≤20kg: ±10g; m>20kg: ±15g
8308-3KA	3kg	0.5g	10g	1g	3000	m≤500g: ±0.5g; 500g<m≤2kg: ±1g; m>2kg: ±1.5g
8308-6KA	6kg	0.5g	10g	1g	6000	m≤500g: ±0.5g; 500g<m≤2kg: ±1g; m>2kg: ±1.5g
8308-15KA	15kg	1g	20g	10g	1500	m≤5kg: ±5g; m>5kg: ±10g
8308-30KA	30kg	5g	100g	10g	3000	m≤5kg: ±5g; 5kg<m≤20kg: ±10g; m>20kg: ±15g
8308-10KB	10kg	0.1g	5g	1g	10000	m≤5kg: ±0.5g; m>5kg: ±1g
8308-20KB	20kg	0.1g	5g	1g	15000	m≤5kg: ±0.5g; m>5kg: ±1g
8308-30KB	30kg	0.1g	5g	1g	30000	m≤5kg: ±0.5g; 5kg<m≤20kg: ±1g; m>20kg: ±1.5g

SPECIFICATION

Operation temperature	0~40°C
Operation humidity	≤80%RH
Dimension of pan	300×224mm
Power supply	input voltage: 220V, rechargeable lead acid battery (6V/4Ah)
Output	RS232

OPTIONAL ACCESSORY

RS232 cable	8301-CABLE*
Printer	8303-PRINTER
Data output cable (keyboard format)	7302-8001
Wireless transmitter (receiver is needed)	7315-8301

*Used to connect with computers

INDUSTRIAL ELECTRONIC BALANCES (ADVANCED TYPE)

DATA OUTPUT TOUCH SCREEN HIGH ACCURACY CAN BE CUSTOMIZED

- Electromagnetic balanced sensor
- Compensates for zero stability and weighing accuracy by loading accurately at multiple temperature points
- Stainless steel weighing pan, acid and corrosion resistant
- Manual screen off, screen saver

- Weighing, counting, taring
- Overload alarm
- Unit: g, kg, lb, ct, oz
- Password protection
- Data output



SPECIFICATION

Code	8309-16	8309-20	8309-30	8309-35	8309-16A	8309-20A	8309-30A	8309-35A
Maximum weighing	16kg	20kg	30kg	35kg	16kg	20kg	30kg	35kg
Resolution (d)	0.1g				0.05g			
Verification interval (e)	1g				0.1g			
Accuracy	±0.1g		±0.2g		±0.05g		±0.1g	
Repeatability	±0.1g				±0.05g			
Linearity	±0.1g				±0.05g			
Weight of calibration	10kg		20kg		10kg		20kg	
Calibration method	external calibration							
Minimum weighing	5g							
Stabilization time	≤1.5s							
Operation temperature	10~30°C							
Operation humidity	30~80%RH							
Weighing pan size	360×250mm							
Power supply	power adapter (5V/2A)							
Data interface	DB9, Type-C, RS485							
Communication protocols	compatible with SBI (RS232) and SICS communication protocols							

STANDARD DELIVERY

Main unit	1 pc
RS232 cable *	1 pc
Touch screen indicator	1 pc

*Used to connect with computers

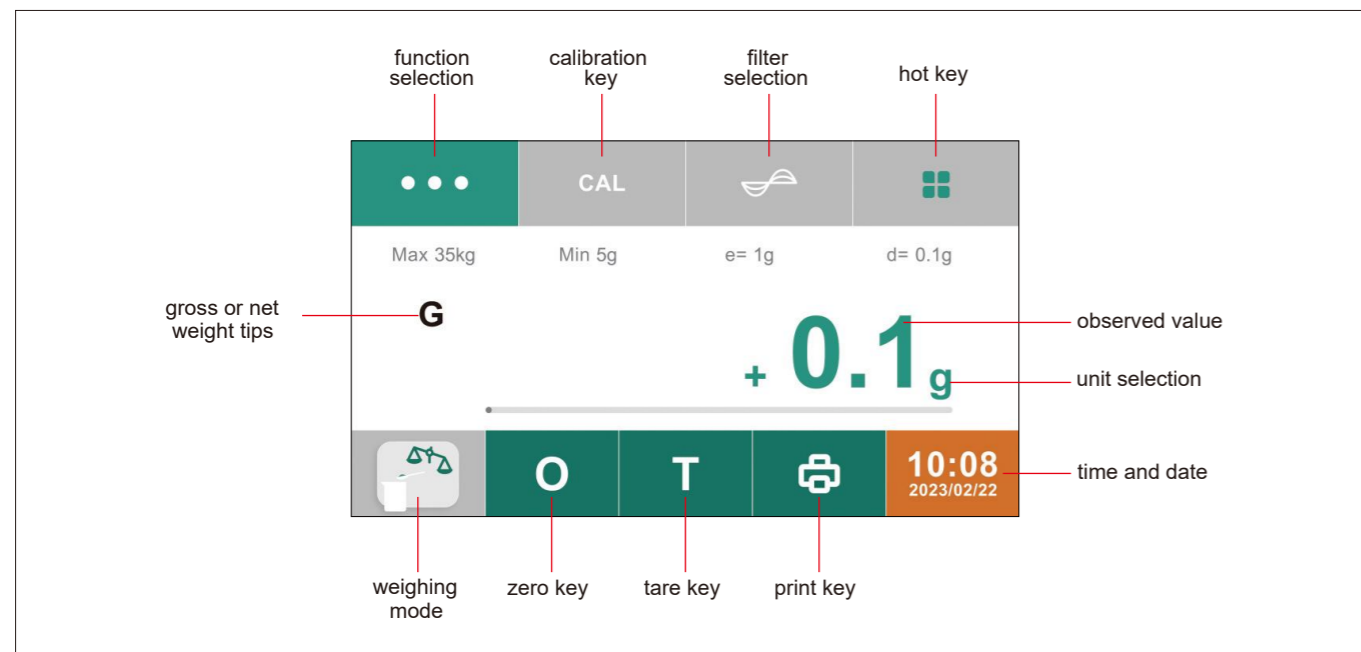
OPTIONAL ACCESSORY

Printer	8309-PRINTER
Charge pal	1155-5-POB

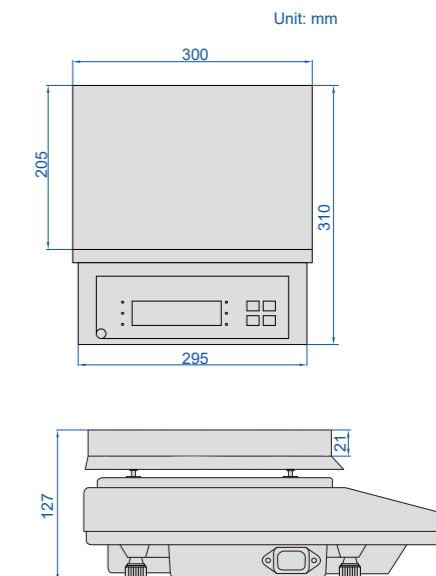
To be continued

Continued from previous page

weighing test interface



8106-30KG



Measurement functions:

- Weighing**: This application determines the weight of the object to be weighed within the specific weighing range of the device.
- Mixing**: The application allows up to 99 ingredients for a mixture or recipe to be placed sequentially in a container. After each placement of an ingredient, the balance will automatically tare the weight and can display the individual or total weight of the ingredients.
- Statistic**: The application can save up to 99 weighing values and calculated values, and perform statistical evaluations.
- Component**: The application can sum up to 99 weighing values, can weigh components in different containers, and can tare each container before weighing each component.
- Density**: The application can determine the density of solid materials based on the buoyancy method (**powder density cannot be tested, no density components are supplied as standard**).
- Percentage**: This application allows the determination of the percentage or percentage difference of the weighed object based on a reference weight.
- Transition**: The application can multiply the weighing value with a customizable coefficient to obtain a converted measurement, the last entered coefficient is saved when the power supply is interrupted.
- Animal weighing**: The application is suitable for moving weights (e.g. live animals) and for weighing in unstable environments, where a measuring cycle with a defined number of measurements is performed automatically for each object to be weighed, the average value is determined from the individual measurements and displayed as a result.
- Check weighing**: The application checks that the weighing value is within the specified upper and lower limits and determines the test result, allowing weighing of a specific rated weight.
- Peak holding**: This application determines the maximum weighing value (peak value) of a sample and displays the value for up to 5 seconds after the balance has been unloaded.
- Counting**: The application counts almost identical piece weights by comparing them to a reference sample.

ELECTRONIC ANTIMAGNETIC BALANCES

DATA OUTPUT

- Automatic calibration, zero tracking, weighing, counting, taring
- Aluminium alloy base, wooden pallet
- Data output
- Strain balanced sensor
- Unit: kg, lb

SPECIFICATION

Code	8106-3KG	8106-6KG	8106-10KG	8106-20KG	8106-30KG
Maximum weighing	3kg	6kg	10kg	20kg	30kg
Minimum weighing	2g	2g	20g	20g	20g
Resolution (d)	0.1g	0.1g	1g	1g	1g
Verification interval (e)	1g	1g	10g	10g	10g
Accuracy (m is load)	m≤500g: ±0.5g; 500g<m≤2kg: ±1g; m>2kg: ±1.5g		m≤5kg: ±5g; m>5kg: ±10g		m≤5kg: ±5g; 5kg<m≤20kg: ±10g; m>20kg: ±15g
Operation temperature	0~40°C				
Operation humidity	≤80%RH				
Power supply	220V, 50/60Hz				
Dimension of pan	300×205mm				

OPTIONAL ACCESSORY

RS232 cable	8301-CABLE*
Printer	8303-PRINTER
Data output cable (keyboard format)	7302-8001
Wireless transmitter (receiver is needed)	7315-8301

*Used to connect with computers



printer (optional)



Industrial Scales

Efficiency for heavy-duty scenarios

- » Positioning: High-capacity industrial weighing equipment
- » Core Advantage: Large Load and Structural Strength



Application scenarios :



» Factory and warehouse management

In warehouse management in factories, electronic scales are used for inbound, outbound and inventory monitoring of goods. By using them in conjunction with conveyor systems, electronic scales can automatically record the weight of goods and related information, improving the accuracy of inbound and outbound storage and reducing manual intervention and errors.



» Farmers' markets and supermarkets

In farmers' markets and supermarkets, electronic scales are used for weighing and pricing of goods to ensure fairness and accuracy of transactions. Law enforcement officers regularly calibrate electronic scales to ensure that their measurement performance meets the requirements of technical specifications.



» Agriculture and Special Scenarios

Agricultural Production

Feed Rationing: waterproof bench scale for weighing livestock feed, corrosion-resistant material adapted to the farming environment .

Grain Acquisition: weighing grains (tonnage) on floor scales to optimize acquisition costing.



» Kitchenette

Electronic scales are used for raw material weighing and product quality control in off-trade locations such as western kitchens and factory raw material plants. They are an important controller of product quality, ensuring metrological accuracy and product quality during the production process.



» Fresh food retailing

In the fresh food retail sector, AI fresh food recognition checkout scales are able to recognize products and display prices and weights, greatly improving the efficiency and experience of customer shopping. This smart scale can also be integrated with payment systems to enable fast settlement and optimize customer shopping flow.



» Production line quality control and automation

Real-time monitoring: online weighing electronic scales integrated in the assembly line, dynamic detection of product weight (e.g., food packaging, drug dosage), real-time feedback data to the PLC system, to achieve the automatic rejection of substandard products.

INSIZE Quick-Finder

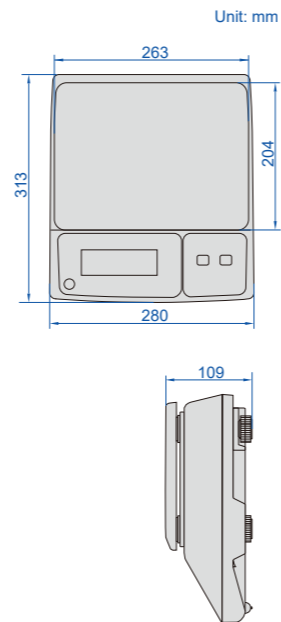
Maximum weighing	Resolution (d)	Dimension of pan	Code	Maximum weighing	Resolution (d)	Dimension of pan	Code
200g	0.02g	64×55mm	8602-200	30kg	0.1g	305×230mm	8006-30A
3kg	0.1g	157×157mm	8003-3	30kg	m≤3kg: 0.1g 3kg<m≤30kg: 1g	260×260mm	8502-30
3kg	0.1g	300×230mm	8005-3	30kg	1g	263×204mm	8001-30
3kg	0.1g	300×224mm	8107-3	30kg	1g	263×204mm	8001-30D
5kg	0.1g	305×230mm	8006-5A	30kg	1g	300×230mm	8005-30
5kg	1g	305×230mm	8006-5	30kg	1g	305×230mm	8006-30
6kg	0.2g	263×204mm	8001-6	30kg	1g	263×204mm	8101-30
6kg	0.2g	263×204mm	8001-6D	30kg	1g	263×204mm	8101-30D
6kg	0.2g	300×230mm	8005-6	30kg	1g	300×224mm	8107-30
6kg	0.2g	263×204mm	8101-6	30kg	2g	300×225mm	8004-30D
6kg	0.2g	263×204mm	8101-6D	30kg	2g	300×225mm	8004-30
6kg	0.2g	300×224mm	8107-6	15/30kg	5/10g	263×204mm	8002-30M
6kg	0.5g	157×157mm	8003-6	15/30kg	5/10g	263×204mm	8002-30MD
6kg	0.5g	300×225mm	8004-6	60kg	20g	—	8605-60
6kg	0.5g	300×225mm	8004-6D	30kg	1g	380×320mm	8503-30
3/6kg	1/2g	263×204mm	8002-6M	50kg	1g	260×260mm	8502-50
3/6kg	1/2g	263×204mm	8002-6MD	60kg	1g	260×260mm	8502-60
10kg	0.1g	305×230mm	8006-10A	60kg	5g	520×420mm	8501-AL60
10kg	1g	157×157mm	8003-10	60kg	5g	380×320mm	8503-60
10kg	1g	305×230mm	8006-10	61kg	1g	500×400mm	8508-61KA
15kg	0.5g	263×204mm	8001-15	61kg	10g	500×400mm	8508-61K
15kg	0.5g	263×204mm	8001-15D	75kg	1g	260×260mm	8502-75
15kg	0.5g	300×230mm	8005-15	110kg	1g	500×400mm	8508-110KA
15kg	0.5g	263×204mm	8101-15	110kg	10g	500×400mm	8508-110K
15kg	0.5g	263×204mm	8101-15D	120kg	10g	380×320mm	8503-120
15kg	0.5g	300×224mm	8107-15	150kg	10g	520×420mm	8501-AL150
15kg	1g	300×225mm	8004-15	160kg	1g	500×400mm	8508-160KA
15kg	1g	300×225mm	8004-15D	160kg	10g	500×400mm	8508-160K
6/15kg	2/5g	263×204mm	8002-15M	200kg	20g	380×320mm	8503-200
6/15kg	2/5g	263×204mm	8002-15MD	210kg	10g	500×400mm	8508-210K
20kg	0.1g	305×230mm	8006-20A	300kg	20g	520×420mm	8501-AL300
20kg	1g	305×230mm	8006-20	310kg	10g	500×400mm	8508-310K

INSIZE Quick-Finder

Maximum weighing	Resolution (d)	Dimension of pan	Code	Maximum weighing	Resolution (d)	Dimension of pan	Code
1t	0.2kg	800×800mm	8402-1TA	2.5t	1kg	—	8801-A25
1t	0.2kg	1000×1000mm	8402-1TB	2.5t	1kg	—	8801-B25
1t	0.2kg	1200×1200mm	8402-1TC	3t	0.2kg	800×800mm	8402-3TA
1t	0.2kg	1200×1500mm	8402-1TD	3t	0.2kg	1000×1000mm	8402-3TB
1t	0.2kg	1500×1500mm	8402-1TE	3t	0.2kg	1200×1200mm	8402-3TC
1t	0.5kg	800×800mm	8403-1TA	3t	0.2kg	1200×1500mm	8402-3TD
1t	0.5kg	1000×1000mm	8403-1TB	3t	0.2kg	1500×1500mm	8402-3TE
1t	0.5kg	1200×1200mm	8403-1TC	3t	0.5kg	2000×2000mm	8402-3TF
1t	0.5kg	1500×1500mm	8403-1TD	3t	0.5kg	800×800mm	8403-3TA
1t	0.5kg	2000×2000mm	8402-1TF	3t	0.5kg	1000×1000mm	8403-3TB
1.5t	0.5kg	—	8801-A15	3t	0.5kg	1200×1200mm	8403-3TC
1.5t	0.5kg	—	8801-B15	3t	0.5kg	1500×1500mm	8403-3TD
2t	0.2kg	800×800mm	8402-2TA	4t	0.5kg	800×800mm	8402-4TA
2t	0.2kg	1000×1000mm	8402-2TB	4t	0.5kg	1000×1000mm	8402-4TB
2t	0.2kg	1200×1200mm	8402-2TC	4t	0.5kg	1200×1200mm	8402-4TC
2t	0.2kg	1200×1500mm	8402-2TD	4t	0.5kg	1200×1500mm	8402-4TD
2t	0.2kg	1500×1500mm	8402-2TE	4t	0.5kg	1500×1500mm	8402-4TE
2t	0.5kg	2000×2000mm	8402-2TF	4t	1kg	2000×2000mm	8402-4TF
2t	0.5kg	800×800mm	8403-2TA	5t	0.5kg	800×800mm	8402-5TA
2t	0.5kg	1000×1000mm	8403-2TB	5t	0.5kg	1000×1000mm	8402-5TB
2t	0.5kg	1200×1200mm	8403-2TC	5t	0.5kg	1200×1200mm	8402-5TC
2t	0.5kg	1500×1500mm	8403-2TD	5t	0.5kg	1200×1500mm	8402-5TD
2t	1kg	—	8801-A20	5t	0.5kg	1500×1500mm	8402-5TE
2t	1kg	—	8801-B20	5t	1kg	2000×2000mm	8402-5TF



8002-30M



WEIGHING SCALES (OIML CERTIFICATE)

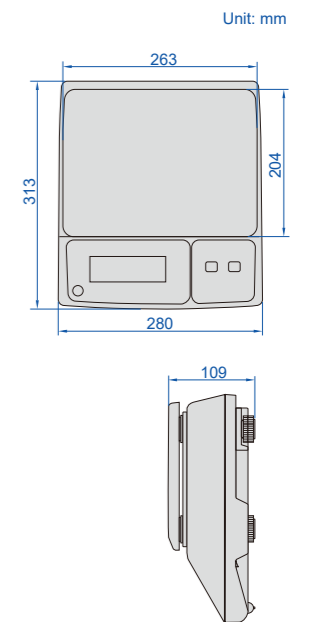
- LCD display, with backlight
- Zero-setting, subtracting tare value
- Overload alarm
- Automatic power off
- OIML certificate (No. 0200-NAWI-04601)

SPECIFICATION

Code	8002-6M	8002-15M	8002-30M	8002-6MD	8002-15MD	8002-30MD
Maximum weighing	3/6kg	6/15kg	15/30kg	3/6kg	6/15kg	15/30kg
Minimum weighing	20g	40g	100g	20g	40g	100g
Resolution (d)	1/2g	2/5g	5/10g	1/2g	2/5g	5/10g
Verification interval (e)	2g	5g	10g	2g	5g	10g
Accuracy (m is load)	m≤3kg: ±1g 3kg<m≤6kg: ±2g	m≤6kg: ±2g 6kg<m≤15kg: ±5g	m≤15kg: ±5g 15kg<m≤30kg: ±10g	m≤3kg: ±1g 3kg<m≤6kg: ±2g	m≤6kg: ±2g 6kg<m≤15kg: ±5g	m≤15kg: ±5g 15kg<m≤30kg: ±10g
Output	no			RS232		
Operation temperature	-10~40°C					
Power supply	rechargeable battery (6V/3.2Ah), power adapter (12V/500mA)					
Dimensions of pan	263×204mm					



8001-6



WEIGHING SCALES (HIGH PRECISION)

- LCD display, with backlight
- Zero-setting, subtracting tare value
- Overload alarm
- Automatic power off

SPECIFICATION

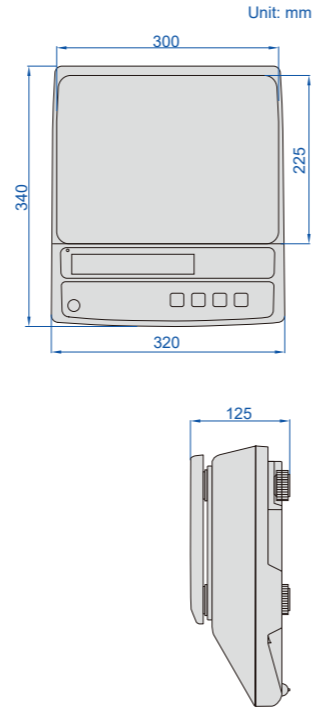
Code	8001-6	8001-15	8001-30	8001-6D	8001-15D	8001-30D
Maximum weighing	6kg	15kg	30kg	6kg	15kg	30kg
Minimum weighing	4g	10g	20g	4g	10g	20g
Resolution (d)	0.2g	0.5g	1g	0.2g	0.5g	1g
Accuracy (m is load)	m≤1kg: ±1g 1kg<m≤4kg: ±2g m>4kg: ±3g	m≤2.5kg: ±2.5g 2.5kg<m≤10kg: ±5g m>10kg: ±7.5g	m≤5kg: ±5g 5kg<m≤20kg: ±10g m>20kg: ±15g	m≤1kg: ±1g 1kg<m≤4kg: ±2g m>4kg: ±3g	m≤2.5kg: ±2.5g 2.5kg<m≤10kg: ±5g m>10kg: ±7.5g	m≤5kg: ±5g 5kg<m≤20kg: ±10g m>20kg: ±15g
Units	kg, lb			kg		
Output	no			RS232		
Operation temperature	-10~40°C					
Power supply	rechargeable lead acid battery (6V/3.2Ah)					
Dimensions of pan	263×204mm					

OPTIONAL ACCESSORY (for scales with RS232)

Data output cable (keyboard format)	7302-8001
Wireless transmitter (receiver is needed)	7315-8001



8004-6



CHECKING WEIGHT SCALES

- LCD display , with backlight
- Zero-setting, subtracting tare value
- Checking alarm, overload alarm
- Automatic power off
- Double weighing pan in stainless steel and plastic
- Unit: kg, g, tj, Hj, t(ola), lb, oz, lb-oz



SPECIFICATION

Code	8004-6	8004-15	8004-30	8004-6D	8004-15D	8004-30D
Maximum weighing	6kg	15kg	30kg	6kg	15kg	30kg
Minimum weighing	10g	20g	40g	10g	20g	40g
Resolution (d)	0.5g	1g	2g	0.5g	1g	2g
Accuracy (m is load)	m≤2.5kg: ±2.5g m>2.5kg: ±5g	m≤5kg: ±5g m>5kg: ±10g	m≤10kg: ±10g m>10kg: ±20g	m≤2.5kg: ±2.5g m>2.5kg: ±5g	m≤5kg: ±5g m>5kg: ±10g	m≤10kg: ±10g m>10kg: ±20g
Output	no			RS232		
Operation temperature	0~40°C					
Power supply	rechargeable lead acid battery (6V/4Ah)					
Dimensions of pan	300×225mm					

OPTIONAL ACCESSORY (for scales with RS232)

Printer **8001-PRINTER**

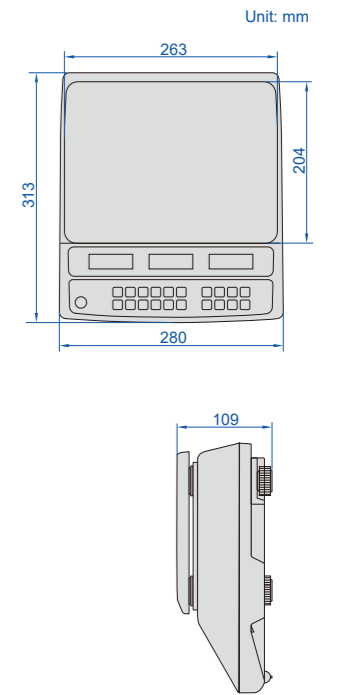


printer (optional)

POPULAR MODEL



8101-30



COUNTING SCALES

- LCD display, with backlight
- Zero-setting, subtracting tare value, counting, accumulation, checking alarm
- Overload alarm
- Unit: kg, g, lb, tj, hj, lb-oz

SPECIFICATION

Code	8101-6	8101-15	8101-30	8101-6D	8101-15D	8101-30D
Maximum weighing	6kg	15kg	30kg	6kg	15kg	30kg
Minimum weighing	4g	10g	20g	4g	10g	20g
Resolution (d)	0.2g	0.5g	1g	0.2g	0.5g	1g
Accuracy (m is load)	m≤1kg: ±1g 1kg<m≤4kg: ±2g m>4kg: ±3g	m≤2.5kg: ±2.5g 2.5kg<m≤10kg: ±5g m>10kg: ±7.5g	m≤5kg: ±5g 5kg<m≤20kg: ±10g m>20kg: ±15g	m≤1kg: ±1g 1kg<m≤4kg: ±2g m>4kg: ±3g	m≤2.5kg: ±2.5g 2.5kg<m≤10kg: ±5g m>10kg: ±7.5g	m≤5kg: ±5g 5kg<m≤20kg: ±10g m>20kg: ±15g
Output	no			RS232		
Operation temperature	-10~40°C					
Power supply	rechargeable battery (6V/3.2Ah), power adapter (12V/500mA)					
Dimensions of pan	263×204mm					

OPTIONAL ACCESSORY (for scales with RS232)

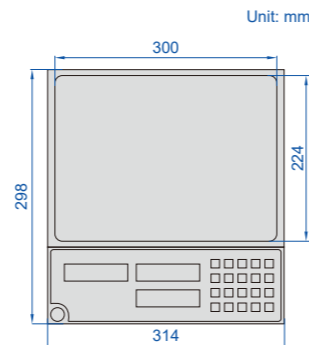
Printer **8001-PRINTER**



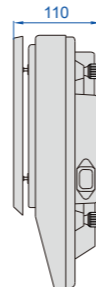
printer (optional)



8107-3



Unit: mm



COUNTING SCALES

DATA OUTPUT

- Double weighing pan in stainless steel and plastic
- Counting, quantity setting, single weight setting
- Zero-setting, checking alarm, accumulation, taring
- Aluminium alloy base

- Strain balanced sensor
- Data output
- Unit: kg, lb



SPECIFICATION

Code	8107-3	8107-6	8107-15	8107-30
Maximum weighing	3kg	6kg	15kg	30kg
Minimum weighing	2g	4g	25g	20g
Resolution (d)	0.1g	0.2g	0.5g	1g
Verification interval (e)	1g	1g	1g	10g
Accuracy (m is load)	m≤500g: ±0.5g 500g<m≤2kg: ±1g m>2kg: ±1.5g	m≤500g: ±0.5g 500g<m≤2kg: ±1g m>2kg: ±1.5g	m≤5kg: ±0.5g 5kg<m≤20kg: ±1g m>20kg: ±1g	m≤5kg: ±5g 5kg<m≤20kg: ±10g m>20kg: ±15g
Output	RS232			
Operation temperature	0~40°C			
Operation humidity	≤80%RH			
Power supply	input voltage: 220V, rechargeable lead acid battery (6V/4Ah)			
Dimension of pan	300×224mm			

OPTIONAL ACCESSORY

RS232 cable	8301-CABLE*
Printer	8303-PRINTER
Data output cable (keyboard format)	7302-8001
Wireless transmitter (receiver is needed)	7315-8301

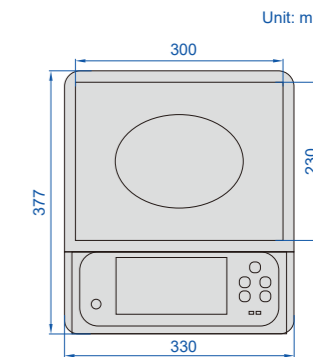
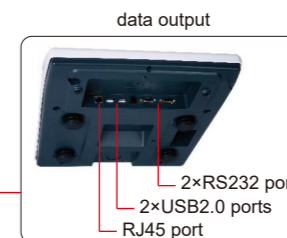


printer (optional)

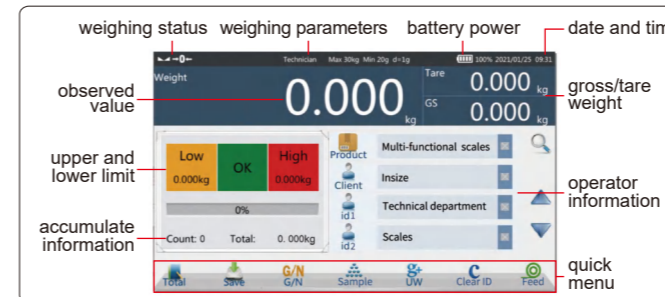
* Used to connect with computers



8005-30



Unit: mm



records search

No.	Product	Weight(kg)	Unit	Quantity	Time
1	Sample a	0.3	kg	0	18:50
2	Sample b	0.22	kg	0	18:57
3	Sample c	0.58	kg	0	19:06
4	Sample d	0.21	kg	0	19:36
5	Sample e	0.57	kg	0	19:43
6	Sample f	0.34	kg	0	19:46
7	Sample g	0.21	kg	0	19:46
8	Sample h	0.21	kg	0	19:50
9	Sample i	0.57	kg	0	19:50
10	Sample j	0.93	kg	0	08:43
11	Sample k	7.6	oz	0	18:32
12	Sample l	11.8	oz	0	18:43
13	Sample m	31	oz	0	18:44

Item count: 53 Weight: 5.435kg Qty: 750pcs



MULTI-FUNCTIONAL SCALES

DATA OUTPUT TOUCH SCREEN

- 7-inch resistive touch color screen
- Upper and lower limit alarms: quantity, percentage, weight
- Zero-setting, weighing, subtracting tare value
- Counting, accumulation, percentage display
- Peak (max.) and tracking mode

- Subtractive weighing, accumulation
- Overload alarm
- Data output
- Unit: kg, g, lb, oz, t



SPECIFICATION

Code	8005-3	8005-6	8005-15	8005-30
Maximum weighing	3kg	6kg	15kg	30kg
Minimum weighing	2g	4g	10g	20g
Resolution (d)	0.1g	0.2g	0.5g	1g
Accuracy (m is load)	m≤500g: ±0.5g 500g<m≤2kg: ±1g m>2kg: ±1.5g	m≤1kg: ±1g 1kg<m≤4kg: ±2g m>4kg: ±3g	m≤2.5kg: ±2.5g 2.5kg<m≤10kg: ±5g m>10kg: ±7.5g	m≤5kg: ±5g 5kg<m≤20kg: ±10g m>20kg: ±15g
Operation temperature	0~40°C			
Operation humidity	≤80%RH			
Power supply	7.4V rechargeable Li-ion battery			
Weighing pan size	300×230mm			

OPTIONAL ACCESSORY

Printer	8001-PRINTER
Scanner	7328-SCAN
Alarm light	8001-ALARM



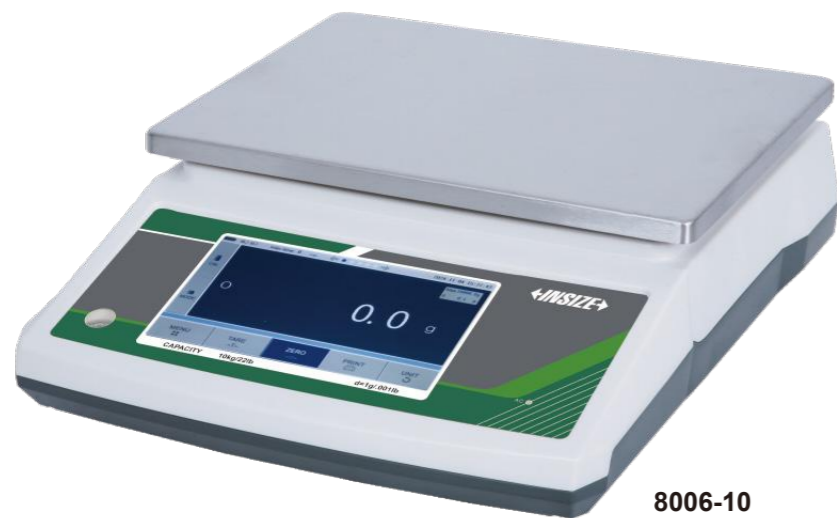
alarm light (optional)



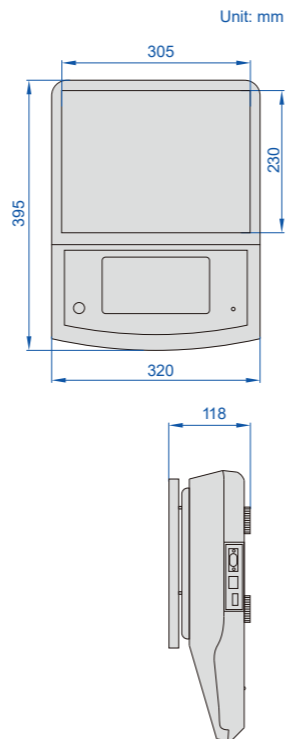
scanner (optional)



printer (optional)



8006-10



Unit: mm

MULTI-FUNCTION SCALES

DATA OUTPUT TOUCH SCREEN INTERNAL CALIBRATION

- Zero-setting, weighing, subtracting tare value
- Counting, accumulation, percentage display, checking alarm
- Built-in calibration weights, automatic internal calibration
- 7-inch resistive touch color screen
- With a hook at the bottom
- Unit: g, ct, GSM, oz, kg, lb, mg
- 304 stainless steel weighing pan
- Overload alarm
- Data output





scanner (optional)



GSM cutter (optional)



hydrostatic stand (optional, for 8006-5, 8006-10, 8006-5A, 8006-10A)



printer (optional)

Calibration methods

- Internal calibration
- Linear calibration
- Fixed value calibration

Measurement functions

- Weighing
- Counting
- Density (applicable for measuring solid density with $\rho > 1\text{g/cm}^3$, density accessories are not included)
- Checking alarm
- Percentage

To be continued

Continued from previous page

Code	Maximum weighing	Resolution (d)	Minimum weighing	Accuracy (m is load)	Linearity	Repeatability	Verification interval (e)
8006-5	5kg	1g	20g	±5g	±5g	±3g	10g
8006-10	10kg	1g	20g	m≤5kg: ±5g; m>5kg: ±10g	±5g	±3g	10g
8006-20	20kg	1g	20g	m≤5kg: ±5g; m>5kg: ±10g	±5g	±4g	10g
8006-30	30kg	1g	20g	m≤5kg: ±5g; 5kg<m≤20kg: ±10g; m>20kg: ±15g	±5g	±4g	10g
8006-5A	5kg	0.1g	5g	±0.5g	±0.5g	±0.3g	1g
8006-10A	10kg	0.1g	5g	m≤5kg: ±0.5g; m>5kg: ±1g	±0.5g	±0.3g	1g
8006-20A	20kg	0.1g	5g	m≤5kg: ±0.5g; m>5kg: ±1g	±0.5g	±0.4g	1g
8006-30A	30kg	0.1g	5g	m≤5kg: ±0.5g; 5kg<m≤20kg: ±1g; m>20kg: ±1.5g	±0.5g	±0.5g	1g

SPECIFICATION

Operation temperature	15~30°C
Operation humidity	≤85%RH
Weighing pan size	305×230mm
Power supply	rechargeable lead acid battery (9V/3Ah)
Stable reading time	≤2s
Output	RS232, USB (data export, unable to communicate)

OPTIONAL ACCESSORY

RS232 cable	8306-CABLE*
Printer	8306-PRINTER
Hydrostatic stand	8006-HWS
Scanner	8006-SCAN (RS232 port)
GSM cutter	8390-100

* Used to connect with computers



8003-3

WEIGHING SCALES (ECONOMIC TYPE)

- Unit: g, oz, lb, tl



SPECIFICATION

Code	8003-3	8003-6	8003-10
Maximum weighing	3kg	6kg	10kg
Minimum weighing	2g	10g	20g
Resolution (d)	0.1g	0.5g	1g
Accuracy	±0.5g	±2.5g	±5g
Weighing pan size	157×157mm		
Operation temperature	5~35°C		
Power supply	2×1.5V AAA batteries, power adapter		
Dimension (L×W)	225×160mm		



8602-200



use of pan

**ELECTRONIC POCKET SCALE (ECONOMIC TYPE)
CODE 8602-200**

ATTENTION: LOW ACCURACY

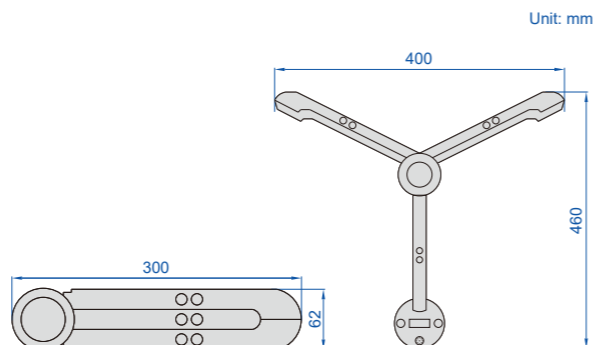
- LCD display, with backlight
- Zero-setting, subtracting tare value, counting
- Overload alarm
- Automatic power off

SPECIFICATION

Maximum weighing	200g	Units	g, oz, dwt, ozt
Minimum weighing	0.2g	Dimension of pan	64×55mm
Resolution (d)	0.02g	Dimension (L×W×H)	120×70×17mm
Accuracy (m is load)	0.2g≤m≤2g: ±0.06g; 2g<m≤60g: ±0.1g; 60g<m≤100g: ±0.14g; m>100g: ±0.28g	Operation temperature	-10~40°C
		Power supply	2×CR2032 batteries



8605-60



Unit: mm

**BLUETOOTH FOLDING SCALE
CODE 8605-60**

DATA OUTPUT BUILT-IN BLUETOOTH ATTENTION: LOW ACCURACY

- Zero-setting, weighing, subtracting tare value
- Voice to report the result
- Unit: kg, g
- Overload alarm

SPECIFICATION

Maximum weighing	60kg
Minimum weighing	400g
Resolution (d)	20g
Accuracy	±40g
Operation temperature	-10~40°C
Operation humidity	20~90%RH
Power supply	3.7V rechargeable Li-ion battery
Output	bluetooth



foldable and portable

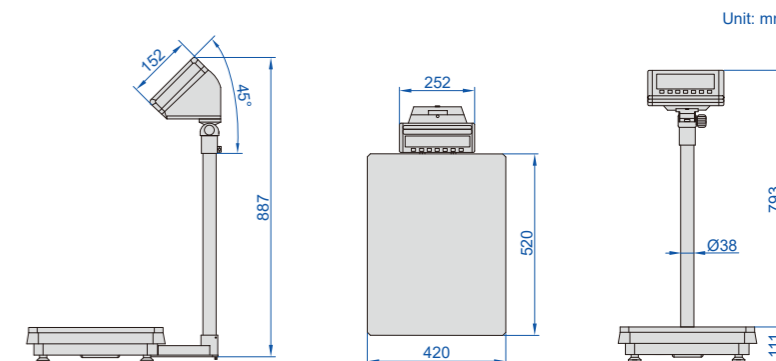


VIDEO

POPULAR MODEL



8501-AL150



Unit: mm

PLATFORM SCALES

DATA OUTPUT CAN BE CUSTOMIZED

- LCD large screen display with LED backlight
- Weighing, overload alarm, counting, keyboard lock, accumulating, auto zero and animal scale
- Unit: kg, g, lb, oz



VIDEO

SPECIFICATION

Code	8501-AL60	8501-AL150	8501-AL300
Maximum weighing	60kg	150kg	300kg
Minimum weighing	100g	200g	400g
Resolution (d)	5g	10g	20g
Accuracy	±10g	±20g	±30g
Operation temperature	-10~40°C		
Material	platform: stainless steel, base: die-cast aluminum		
Dimension of platform	520×420mm		
Power supply	rechargeable lead acid battery (6V/4Ah)		
Output	RS232		
Weight	18.3kg		

OPTIONAL ACCESSORY

Printer	8001-PRINTER
Alarm light	8001-ALARM
Data output cable (keyboard format)	7302-8001
Wireless transmitter (receiver is needed)	7315-8001



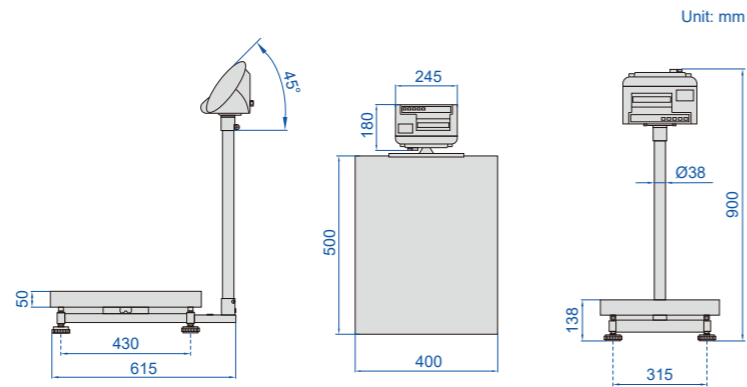
alarm light (optional)



printer (optional)



8508-61KA



PLATFORM SCALES (BASIC TYPE)

DATA OUTPUT CAN BE CUSTOMIZED

- Zero-setting, simple counting
- Weighing, subtracting tare value
- Overload alarm
- Automatic power off
- Low voltage indication
- Unit: kg, lb
- Data output



printer (optional)



VIDEO

Code	Maximum weighing	Resolution (d)	Minimum weighing	Repeatability	Accuracy	Verification interval (e)	Number of verification interval (n)
8508-61KA	61kg	1g	20g	±2g	±3g	10g	6100
8508-110KA	110kg	1g	50g	±2g	±3g	10g	11000
8508-160KA	160kg	1g	50g	±3g	±5g	10g	16000
8508-61K	61kg	10g	200g	±20g	±30g	100g	610
8508-110K	110kg	10g	200g	±20g	±30g	100g	1100
8508-160K	160kg	10g	200g	±20g	±30g	100g	1600
8508-210K	210kg	10g	200g	±20g	±30g	100g	2100
8508-310K	310kg	10g	200g	±30g	±50g	100g	3100

SPECIFICATION

Output	RS232
Operation temperature	-10~40°C
Operation humidity	30~80%RH
Power supply	rechargeable lead acid battery (6V/4Ah)
Stabilization time	≤2s
Material	platform: stainless steel, base: carbon steel
Dimension of platform	500×400mm
Weight	14kg

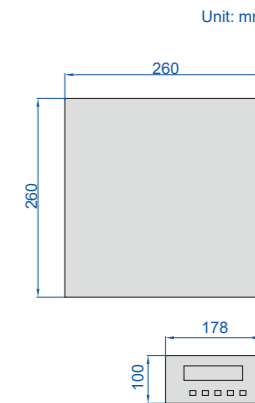
OPTIONAL ACCESSORY

RS232 cable	8306-CABLE*
Printer	8306-PRINTER

* Used to connect with computers



8502-30



PARCEL SCALES

- Weighting, counting, subtracting tare value
- LED display, adjustable brightness
- Low voltage indication
- Automatic power off
- Overload indication
- Unit: kg, lb



VIDEO

SPECIFICATION

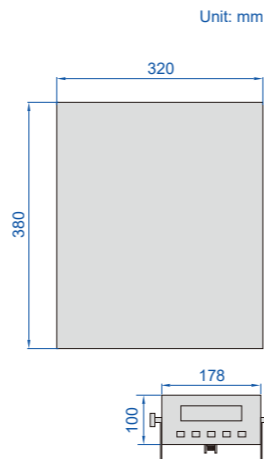
Code	8502-30	8502-50	8502-60	8502-75
Maximum weighing	30kg	50kg	60kg	75kg
Minimum weighing	2g	20g	20g	20g
Resolution (d)	m≤3kg: 0.1g; 3kg<m≤30kg: 1g	1g	1g	1g
Accuracy (m is load)	m≤3kg: ±0.3g; 3kg<m≤30kg: ±3g	±3g	±3g	±3g
Weight of calibration	20kg	50kg	50kg	50kg
Weighing pan size	260×260mm			
Material	platform: ABS plastic, base: die-cast aluminum			
Operation temperature	5~35°C			
Operation humidity	30~80%RH			
Power supply	power adapter (6V/300mA) or 4×1.5V AA batteries			

OPTIONAL ACCESSORY

Cast iron weights	8913
-------------------	------



8503-30



PARCEL SCALES

- Weighting, counting, subtracting tare value
- LCD display, with backlight
- Overload indication
- Automatic power off
- Low voltage indication
- Unit: kg, lb



SPECIFICATION

Code	8503-30	8503-60	8503-120	8503-200
Maximum weighing	30kg	60kg	120kg	200kg
Minimum weighing	20g	100g	200g	400g
Resolution (d)	1g	5g	10g	20g
Accuracy	±3g	±15g	±30g	±60g
Weight of calibration	20kg	50kg	100kg	200kg
Weighing pan size	380×320mm			
Material	platform: stainless steel, base: die-cast aluminum			
Operation temperature	5~35°C			
Operation humidity	30~80%RH			
Power supply	power adapter (6V/300mA) or 4×1.5V AA batteries			

OPTIONAL ACCESSORY

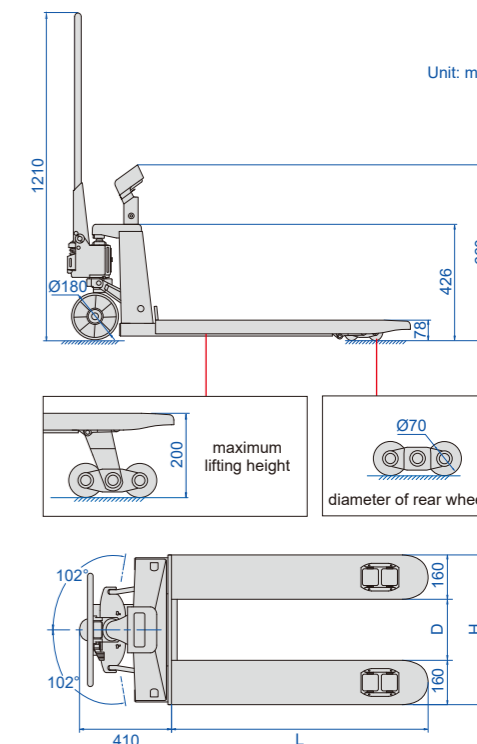
Cast iron weights	8913
-------------------	------



LED indicator



8801-A20



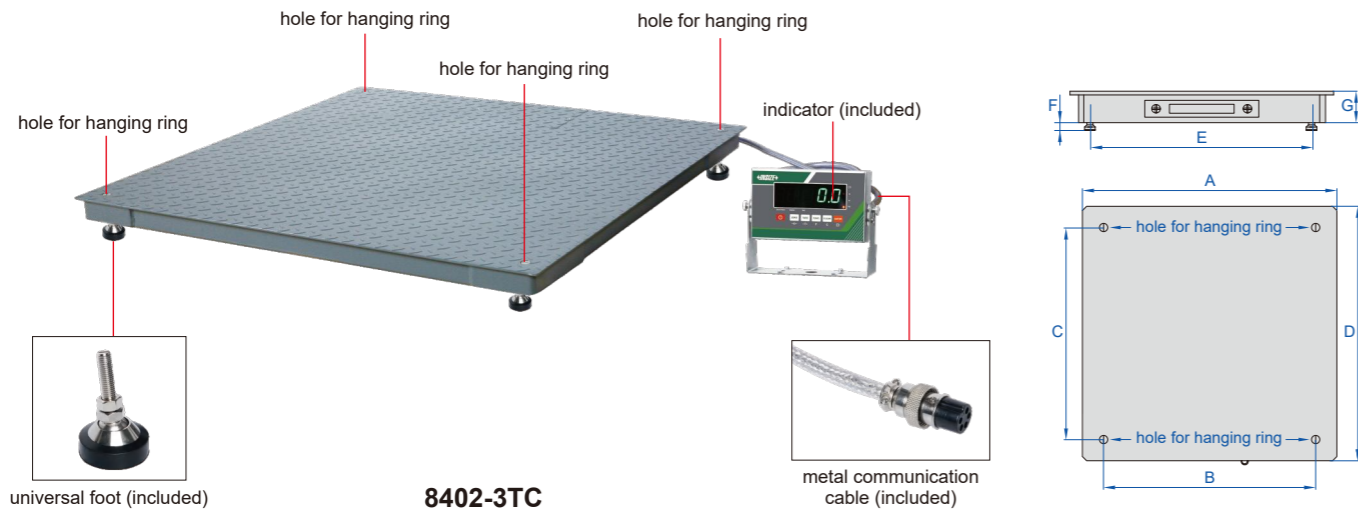
FORKLIFT SCALES

- Zero-setting, subtracting tare value, counting, check weighing
- Automatic screen off, automatic power off
- Low voltage indication, overload indication
- Weight hold, accumulation, percentage display
- LED large screen display
- Unit: kg, lb



SPECIFICATION

Code	8801-A15	8801-A20	8801-A25	8801-B15	8801-B20	8801-B25
Maximum weighing	1500kg	2000kg	2500kg	1500kg	2000kg	2500kg
Minimum weighing	10kg	20kg	20kg	10kg	20kg	20kg
Resolution	0.5kg	1kg	1kg	0.5kg	1kg	1kg
Accuracy	±1kg	±1kg	±2kg	±1kg	±1kg	±2kg
Forklift arm length (L)	1150mm			1220mm		
Forklift arm distance (D)	220mm			360mm		
Overall forklift width (H)	540mm			680mm		
Weight	98kg			105kg		
Material	mild steel					
Indicator power supply	rechargeable lead acid battery (6V/4Ah)					
Operation temperature	-10~50°C					
Operation humidity	30~90%RH					
Limited load	2500kg	3000kg	3000kg	2500kg	3000kg	3000kg



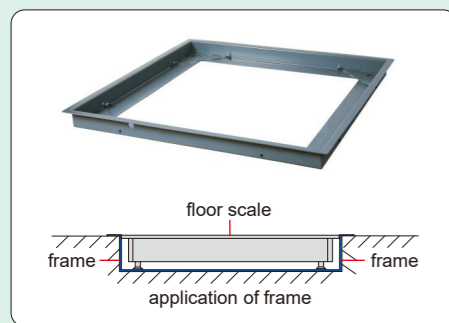
8402-3TC

HIGH PRECISION FLOOR SCALES

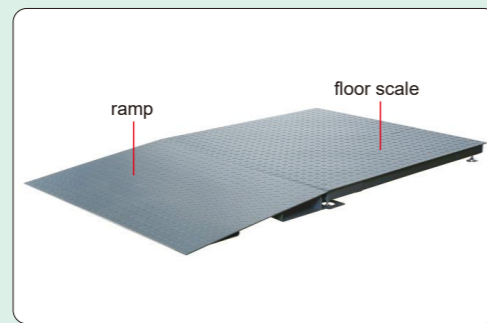
DATA OUTPUT CAN BE CUSTOMIZED BUILT-IN BLUETOOTH HIGH ACCURACY

- Simple counting, animal scale, checking alarm
- Peak (max.) and tracking mode
- Zero-setting, weighing, subtracting tare value
- Overload alarm

- Automatic power off
- Data output
- Unit: kg, lb



frame (optional)



ramp (optional)



stainless steel stand (optional)

SPECIFICATION

Material of platform	carbon steel
Material of indicator	304 stainless steel
Output	RS232
Operation temperature	-10~40°C
Operation humidity	30~80%RH
Power supply	3.7V rechargeable Li-ion battery



printer (optional)

To be continued

Continued from previous page

Code	Maximum weighing	Minimum weighing	Resolution (d)	Accuracy	Dimension of platform	(mm)										
Code	A	B	C	D	E	F	G									
8402-1TA	1t	4kg	0.2kg	±0.2kg	800×800mm	800	640	640	800	640	40	81				
8402-2TA	2t	4kg	0.2kg	±0.3kg		800	640	640	800	640	40	81				
8402-3TA	3t	4kg	0.2kg	±0.5kg		800	640	640	800	640	38	83				
8402-4TA	4t	10kg	0.5kg	±0.6kg		800	640	640	800	640	38	83				
8402-5TA	5t	10kg	0.5kg	±1kg		800	640	640	800	640	38	83				
8402-1TB	1t	4kg	0.2kg	±0.2kg	1000×1000mm	1000	840	840	1000	840	40	81				
8402-2TB	2t	4kg	0.2kg	±0.3kg		1000	840	840	1000	840	40	81				
8402-3TB	3t	4kg	0.2kg	±0.5kg		1000	840	840	1000	840	38	83				
8402-4TB	4t	10kg	0.5kg	±0.6kg		1000	840	840	1000	840	38	83				
8402-5TB	5t	10kg	0.5kg	±1kg		1000	840	840	1000	840	38	83				
8402-1TC	1t	4kg	0.2kg	±0.2kg	1200×1200mm	1200	1040	1040	1200	1040	40	81				
8402-2TC	2t	4kg	0.2kg	±0.3kg		1200	1040	1040	1200	1040	40	81				
8402-3TC	3t	4kg	0.2kg	±0.5kg		1200	1040	1040	1200	1040	40	81				
8402-4TC	4t	10kg	0.5kg	±0.6kg		1200	1040	1040	1200	1040	38	83				
8402-5TC	5t	10kg	0.5kg	±1kg		1200	1040	1040	1200	1040	38	83				
8402-1TD	1t	4kg	0.2kg	±0.2kg	1200×1500mm	1200	1040	1340	1500	1040	40	81				
8402-2TD	2t	4kg	0.2kg	±0.3kg		1200	1040	1340	1500	1040	40	81				
8402-3TD	3t	4kg	0.2kg	±0.5kg		1200	1040	1340	1500	1040	40	81				
8402-4TD	4t	10kg	0.5kg	±0.6kg		1200	1040	1340	1500	1040	38	83				
8402-5TD	5t	10kg	0.5kg	±1kg		1200	1040	1340	1500	1040	38	83				
8402-1TE	1t	4kg	0.2kg	±0.2kg	1500×1500mm	1500	1340	1340	1500	1340	40	81				
8402-2TE	2t	4kg	0.2kg	±0.3kg		1500	1340	1340	1500	1340	40	81				
8402-3TE	3t	4kg	0.2kg	±0.5kg		1500	1340	1340	1500	1340	40	81				
8402-4TE	4t	10kg	0.5kg	±0.6kg		1500	1340	1340	1500	1340	38	83				
8402-5TE	5t	10kg	0.5kg	±1kg		1500	1340	1340	1500	1340	38	83				
8402-1TF	1t	10kg	0.5kg	±0.5kg	2000×2000mm	2000	1840	1840	2000	1840	40	81				
8402-2TF	2t	10kg	0.5kg	±1kg		2000	1840	1840	2000	1840	40	81				
8402-3TF	3t	10kg	0.5kg	±1kg		2000	1840	1840	2000	1840	38	83				
8402-4TF	4t	20kg	1kg	±2kg		2000	1840	1840	2000	1840	38	83				
8402-5TF	5t	20kg	1kg	±2kg		2000	1840	1840	2000	1840	38	83				

STANDARD DELIVERY

Main unit	1 pc
Indicator	1 pc
Power adapter	1 pc
Universal foot	4 pcs
Hanging ring	4 pcs

OPTIONAL ACCESSORY

Ramp	can be customized
Frame	can be customized
Alarm light	8402-ALARM (must be supplied with scales together)
Stainless steel stand	8402-STAND
Printer	8402-PRINTER



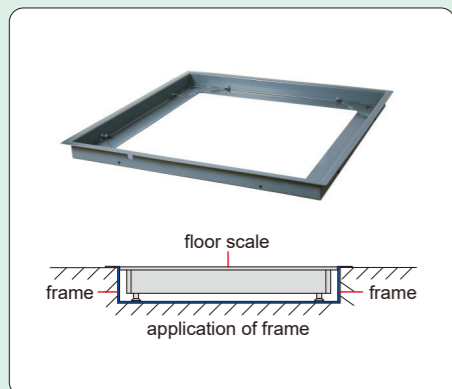
8403-3TC

FLOOR SCALES (STANDARD TYPE)

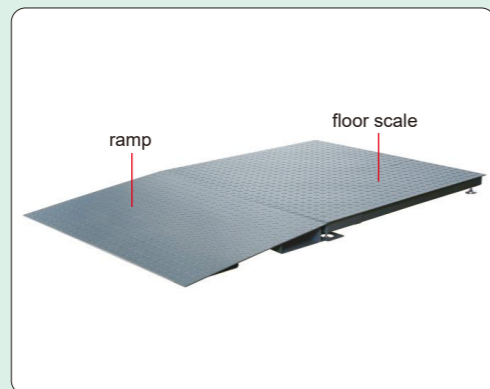
DATA OUTPUT CAN BE CUSTOMIZED BUILT-IN BLUETOOTH

- Simple counting, animal scale, checking alarm
- Peak (max.) and tracking mode
- Zero-setting, weighing, subtracting tare value
- Overload alarm

- Automatic power off
- Data output
- Unit: kg, lb



frame (optional)



ramp (optional)



stainless steel stand (optional)

To be continued

Continued from previous page

SPECIFICATION

Material of platform	carbon steel
Material of indicator	ABS plastic
Output	RS232
Operation temperature	-10~40°C
Operation humidity	30~80%RH
Power supply	3.7V rechargeable Li-ion battery



printer (optional)

Code	Maximum weighing	Minimum weighing	Resolution (d)	Accuracy	Dimension of platform
8403-1TA	1t	10kg	0.5kg	±0.5kg	800×800mm
8403-2TA	2t	10kg	0.5kg	±0.5kg	
8403-3TA	3t	10kg	0.5kg	±1kg	
8403-1TB	1t	10kg	0.5kg	±0.5kg	1000×1000mm
8403-2TB	2t	10kg	0.5kg	±0.5kg	
8403-3TB	3t	10kg	0.5kg	±1kg	
8403-1TC	1t	10kg	0.5kg	±0.5kg	1200×1200mm
8403-2TC	2t	10kg	0.5kg	±0.5kg	
8403-3TC	3t	10kg	0.5kg	±1kg	
8403-1TD	1t	10kg	0.5kg	±0.5kg	1500×1500mm
8403-2TD	2t	10kg	0.5kg	±0.5kg	
8403-3TD	3t	10kg	0.5kg	±1kg	

Dimension of platform	A	B	C	D	E	F	G	H
800×800	800	640	640	800	640	45	76	640
1000×1000	1000	840	840	1000	840	45	76	848
1200×1200	1200	1040	1040	1200	1040	45	76	1131
1500×1500	1500	1340	1340	1500	1340	45	76	1555

STANDARD DELIVERY

Main unit	1 pc
Indicator	1 pc
Power adapter	1 pc
Universal foot	4 pcs
Hanging ring	2 pcs

OPTIONAL ACCESSORY

Ramp	customized
Frame	customized
Alarm light	8403-ALARM (must be supplied with scales together)
Stainless steel stand	8403-STAND
Printer	8403-PRINTER



Crane Scales

Flexible solutions for working at height

-
- » Positioning: Suspended mobile weighing equipment
 - » Core Advantage: Space Adaptability and Ease of Operation

Application scenarios :



» Steel industry

In the steel industry, electronic crane scale has become an indispensable measurement tool by virtue of its high accuracy and efficiency. It can accurately measure the weight of steel, improve work efficiency, reduce economic losses caused by weighing errors, and contribute to the rational use of resources and safe production.



» Ports and Freight Hubs

Container weighing: Simultaneous weight measurement during loading and unloading of containers, avoiding transportation risks due to overweight or weight discrepancies.



» Logistic

In the field of logistics, electronic crane scales are used for tracking and supervision of goods. By integrating with the logistics information system, it realizes the monitoring of the whole process of goods from factory to delivery and improves the efficiency and accuracy of logistics.



» Warehouses and Supermarkets

In warehouses and supermarkets, electronic crane scales are used for merchandise entry and exit statistics and warehouse stock control to improve the accuracy and efficiency of inventory management.

INSIZE Quick-Finder

Maximum weighing	Resolution (d)	Direct view	Remote reading	Code	Maximum weighing	Resolution (d)	Direct view	Remote reading	Code
1kg	0.02kg	√		8603-10	2t	1kg/0.5kg		√	8207-2T
2kg	0.04kg	√		8603-20	3t	1kg/0.5kg	√	optional	8204-CS3T
3kg	0.05kg	√		8603-30	3t	1kg/0.5kg		√	8205-3T
5kg	0.1kg	√		8603-50	3t	1kg/0.5kg	√		8206-3T
10kg	0.2kg	√		8603-100	3t	1kg/0.5kg		√	8207-3T
20kg	0.4kg	√		8603-200	5t	2kg/1kg	√	optional	8204-CS5T
40kg	50g	√		8604-40	5t	2kg/1kg		√	8205-5T
50kg	0.02kg/0.01kg	√		8201-50KG	5t	2kg/1kg	√		8205-5T
50kg	0.02kg/0.01kg	√		8202-50KG	5t	2kg/1kg		√	8207-5T
50kg	1kg	√		8603-500	10t	5kg/2kg	√	optional	8204-CS10T
100kg	2kg	√		8603-1000	10t	5kg		√	8205-10T
150kg	0.05kg/0.02kg	√		8201-150KG	10t	5kg/2kg	√		8206-10T
150kg	0.05kg/0.02kg	√		8202-150KG	10t	5kg/2kg		√	8207-10T
300kg	0.1kg/0.05kg	√		8201-300KG	15t	5kg/2kg	√	optional	8204-CS15T
300kg	0.1kg/0.05kg	√		8202-300KG	15t	5kg		√	8205-15T
300kg	0.1kg/0.05kg	√		8203-CW03T	15t	5kg/2kg	√		8206-15T
500kg	0.2kg/0.1kg	√		8203-CW05T	15t	5kg/2kg		√	8207-15T
500kg	0.2kg/0.1kg	√		8206-05T	20t	10kg		√	8205-20T
500kg	0.2kg/0.1kg		√	8207-05T	20t	10kg/5kg	√		8206-20T
600kg	0.2kg/0.1kg	√	optional	8204-CS06T	20t	10kg/5kg		√	8207-20T
1t	0.5kg/0.2kg	√		8203-CW1T	30t	10kg		√	8205-30T
1t	0.5kg/0.2kg	√	optional	8204-CS1T	30t	10kg/5kg	√		8206-30T
1t	0.5kg/0.2kg	√		8206-1T	30t	10kg/5kg		√	8207-30T
1t	0.5kg/0.2kg		√	8207-1T	50t	20kg		√	8205-50T
2t	1kg/0.5kg	√	optional	8204-CS2T	50t	20kg/10kg	√		8206-50T
2t	1kg/0.5kg		√	8205-2T	50t	20kg/10kg		√	8207-50T
2t	1kg/0.5kg	√		8206-2T					



8202-150KG

remote controller (included)

DIRECT VIEW ELECTRONIC CRANE SCALES (BASIC TYPE)

- LED display, remote control
- Low voltage indicator
- Unit: kg, lb
- Automatic power off
- Overload alarm
- 360° safe rotary hook and shackle
- Plastic case

SPECIFICATION

Code	8202-50KG	8202-150KG	8202-300KG
Maximum weighing	50kg	150kg	300kg
Minimum weighing	0.4kg	1.0kg	2.0kg
Resolution (d)	0.02kg/0.01kg	0.05kg/0.02kg	0.10kg/0.05kg
Verification interval (e)	0.02kg	0.05kg	0.10kg
Accuracy	±0.02kg	±0.05kg	±0.10kg
Operation temperature	-10~40°C		
Operation humidity	30~90%RH		
Overload alarm	100%FS+9e		
Maximum safe load	125%FS		
Limited overload	400%FS		
Power supply	4×1.5V AA batteries (for 40 hours working)		
Stable reading time	≤8s		

STANDARD DELIVERY

Main unit	1 pc
Remote controller	1 pc



8201-150KG

remote controller (included)

DIRECT VIEW ELECTRONIC CRANE SCALES

- Dust/waterproof level: IP65
- LED display, remote control
- Low voltage indicator
- Unit: kg, lb
- Automatic power off
- Overload alarm
- 360° safe rotary hook and shackle
- Aluminum alloy die casting case with high strength



SPECIFICATION

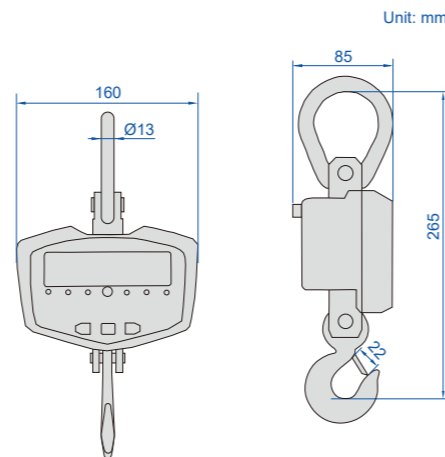
Code	8201-50KG	8201-150KG	8201-300KG
Maximum weighing	50kg	150kg	300kg
Minimum weighing	0.4kg	1.0kg	2.0kg
Resolution (d)	0.02kg/0.01kg	0.05kg/0.02kg	0.10kg/0.05kg
Verification interval (e)	0.02kg	0.05kg	0.10kg
Accuracy	±0.02kg	±0.05kg	±0.10kg
Operation temperature	-10~40°C		
Operation humidity	30~90%RH		
Overload alarm	100%FS+9e		
Maximum safe load	125%FS		
Limited overload	400%FS		
Power supply	rechargeable battery 6V/3Ah (for 40 hours working)		
Stable reading time	≤8s		

STANDARD DELIVERY

Main unit	1 pc
Remote controller	1 pc
Battery charger	1 pc



8203-CW05T



Unit: mm

remote controller (included)

ELECTRONIC CRANE SCALES (BASIC TYPE)

- Zero-setting, taring, weighing
- Aluminum alloy die casting case with high strength
- LED display , remote control
- Unit: kg, lb

- Low voltage indicator
- Overload alarm
- Automatic power off



SPECIFICATION

Code	8203-CW03T	8203-CW05T	8203-CW1T
Maximum weighing	300kg	500kg	1000kg
Minimum weighing	2kg	4kg	10kg
Resolution (d)	0.1kg/0.05kg	0.2kg/0.1kg	0.5kg/0.2kg
Verification interval (e)	0.1kg	0.2kg	0.5kg
Accuracy (m is load)	m≤50kg: ±0.05kg; 50kg<m≤200kg: ±0.1kg; m>200kg: ±0.15kg	m≤100kg: ±0.1kg; 100kg<m≤400kg: ±0.2kg; m>400kg: ±0.3kg	m≤250kg: ±0.25kg; 250kg<m≤1000kg: ±0.5kg
Overload alarm	100%FS+9e		
Maximum safe load	150%FS		
Limited overload	400%FS		
Stable reading time	≤8s		
Power supply	3×1.5V AA batteries		
Operation temperature	-10~40°C		
Operation humidity	30~90%RH		

STANDARD DELIVERY

Main unit	1 pc
Remote controller	1 pc

POPULAR MODEL



8204-CS3T

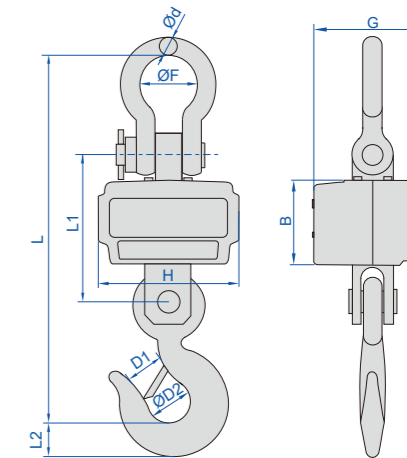
remote controller (included)



large display (optional)



handheld display (optional)



ELECTRONIC CRANE SCALES

- Zero-setting, taring, weighing
- LED display, remote control
- Low voltage indicator
- Unit: kg, lb

- Overload alarm
- Automatic power off
- Aluminum alloy die casting case with high strength



(mm) **SPECIFICATION**

Code	B	G	H	L	L1	L2	D1	ØD2	Ød	ØF	Overload alarm	100%FS+9e
8204-CS06T	120	163	198	420	190	33	40	47	21	76	Maximum safe load	150%FS
8204-CS1T	120	163	198	420	190	33	40	47	21	76	Limited overload	400%FS
8204-CS2T	120	163	198	420	190	33	50	47	21	76	Stable reading time	≤8s
8204-CS3T	120	163	198	462	196	40	50	50	23	76	Power supply	rechargeable battery 6V/4Ah (for 40 hours working)
8204-CS5T	120	163	198	511	204	47	52	60	26	80	Operation temperature	-10~40°C
8204-CS10T	135	181	206	589	239	66	52	70	36	90	Operation humidity	≤85%RH
8204-CS15T	135	181	206	727	257	77	60	85	47	135		

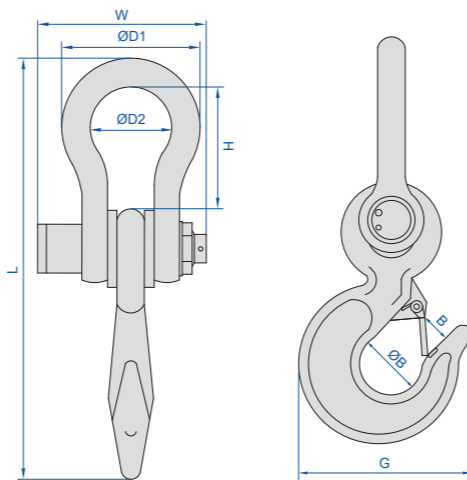
Code	Maximum weighing	Minimum weighing	Resolution (d)	Verification interval (e)	Accuracy (m is load)
8204-CS06T	600kg	5kg	0.2kg/0.1kg	0.2kg	m≤100kg: ±0.1kg;50kg<m≤200kg: ±0.2kg;m>200kg: ±0.3kg
8204-CS1T	1000kg	10kg	0.5kg/0.2kg	0.5kg	m≤250kg: ±0.25kg;250kg<m≤1000kg: ±0.5kg
8204-CS2T	2000kg	20kg	1kg/0.5kg	1kg	m≤500kg: ±0.5kg;500kg<m≤2000kg: ±1kg
8204-CS3T	3000kg	30kg	1kg/0.5kg	1kg	m≤500kg: ±0.5kg;500kg<m≤2000kg: ±1kg;m>2000kg: ±1.5kg
8204-CS5T	5000kg	50kg	2kg/1kg	2kg	m≤1000kg: ±1kg;1000kg<m≤4000kg: ±2kg;m>4000kg: ±3kg
8204-CS10T	10000kg	100kg	5kg/2kg	5kg	m≤2500kg: ±2.5kg;2500kg<m≤10000kg: ±5kg
8204-CS15T	15000kg	100kg	5kg/2kg	5kg	m≤2500kg: ±2.5kg;2500kg<m≤10000kg: ±5kg;m>10000kg: ±7.5kg

STANDARD DELIVERY

Main unit	1 pc
Remote controller	1 pc
Battery charger	1 pc

OPTIONAL ACCESSORY

Handheld display	8204-INDICATOR (must be supplied with scales together)
Large display	8204-SCREEN (must be supplied with scales together)



remote controller (included)

8205-3T

WIRELESS ELECTRONIC CRANE SCALES

- Wireless zero-setting, subtracting tare value, totalization
- Remote reading
- Wireless transmission distance up to 100 meters
- Low voltage indication, overload alarm
- Unit: kg, lb
- Automatic power off



SPECIFICATION

Overload alarm	100%FS+9e
Maximum safe load	150%FS
Limited overload	400%FS
Stable reading time	≤8s
Power supply	rechargeable battery 4.2V/1A (for 40 hours working)
Operation temperature	-10~40°C
Operation humidity	≤85%RH

To be continued

Continued from previous page



wireless printer (optional)



wireless receiver (optional)



large display (optional)

Code	L	H	ØD1	ØD2	W	G	B	ØB
8205-2T	319	88	132	72	198	126	34	48
8205-3T	319	88	132	72	198	126	34	48
8205-5T	407	105	160	88	219	161	42	57
8205-10T	465	105	170	95	246	202	46	65
8205-15T	520	130	215	120	263	203	60	77
8205-20T	621	135	251	142	294	284	75	105
8205-30T	770	205	325	180	356	305	85	125
8205-50T	1020	340	360	200	436	470	135	170

Code	Maximum weighing	Minimum weighing	Resolution (d)	Accuracy (m is load)
8205-2T	2t	10kg	1kg/0.5kg	m≤0.5t: ±0.5kg; m>0.5t: ±1kg
8205-3T	3t	20kg	1kg/0.5kg	m≤0.5t: ±0.5kg; 0.5t<m≤2t: ±1kg; m>2t: ±1.5kg
8205-5T	5t	40kg	2kg/1kg	m≤1t: ±1kg; 1t<m≤4t: ±2kg; m>4t: ±3kg
8205-10T	10t	100kg	5kg	m≤2.5t: ±2.5kg; m>2.5t: ±5kg
8205-15T	15t	100kg	5kg	m≤2.5t: ±2.5kg; 2.5t<m≤10t: ±5kg; m>10t: ±7.5kg
8205-20T	20t	200kg	10kg	m≤5t: ±5kg; m>5t: ±10kg
8205-30T	30t	200kg	10kg	m≤5t: ±5kg; 5t<m≤20t: ±10kg; m>20t: ±15kg
8205-50T	50t	400kg	20kg	m≤10t: ±10kg; 10t<m≤40t: ±20kg; m>40t: ±30kg

STANDARD DELIVERY

Main unit	1 pc
Remote controller	1 pc

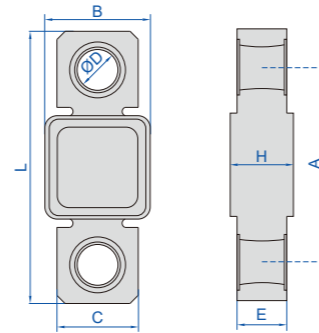
OPTIONAL ACCESSORY

Wireless printer	8205-PRINTER (must be supplied with scales together)
Large display	8205-SCREEN (must be supplied with scales together)
Wireless receiver (serial port signal, connect to computers)	8205-RECEIVER (must be supplied with scales together)



8207-3T

LCD remote controller (included)



WIRELESS HANG SCALES

CAN BE CUSTOMIZED

- Unit: kg, N
- LCD handheld display, remote control
- Wireless zero-setting, subtracting tare value, accumulation
- Peak (max.) and tracking mode
- Wireless transmission distance up to 100 meters
- Low voltage indicator
- Built-in buzzer
- Automatic power off
- Overload alarm



hang scale pull rings (optional)



SPECIFICATION

Operation temperature	-10~55°C
Operation humidity	≤85%RH
Material	alloy steel
Power supply	3×1.5V AA batteries
Stable reading time	≤8s
Limited overload	300%FS
Maximum safe load	150%FS
Overload alarm	100%FS+9e

To be continued

Continued from previous page

Code	Dimension (mm)						
	L	B	C	H	E	A	ØD
8207-05T	204	99	46	50	30	158	26
8207-1T	204	99	46	50	30	158	26
8207-2T	204	99	46	50	30	158	26
8207-3T	204	99	46	54	30	158	26
8207-5T	222	99	60	58	35	162	31
8207-10T	268	104	80	62	49	192	41
8207-15T	304	110	92	66	58	212	46.5
8207-20T	344	120	120	66	66	232	56.5
8207-30T	394	132	132	73	73	264	66
8207-50T	500	150	150	100	100	340	80

Code	Maximum weighing		Minimum weighing		Resolution (d)		Verification interval (e)	Accuracy		Weight
	mass values	force values	mass values	force values	mass values	force values		mass values	force values	
8207-05T	0.5t	5kN	4kg	40N	0.2kg/0.1kg	2N/1N	0.2kg	±0.2kg	±1%	1.6kg
8207-1T	1t	10kN	10kg	100N	0.5kg/0.2kg	5N/2N	0.5kg	±0.5kg		2kg
8207-2T	2t	20kN	20kg	200N	1kg/0.5kg	10N/5N	1kg	±1kg		2.1kg
8207-3T	3t	30kN	20kg	200N	1kg/0.5kg	10N/5N	1kg	±1.5kg		2.3kg
8207-5T	5t	50kN	40kg	400N	2kg/1kg	20N/10N	2kg	±2kg		3.6kg
8207-10T	10t	100kN	100kg	1kN	5kg/2kg	50N/20N	5kg	±5kg		6.2kg
8207-15T	15t	150kN	100kg	1kN	5kg/2kg	50N/20N	5kg	±7.5kg		9.5kg
8207-20T	20t	200kN	200kg	2kN	10kg/5kg	100N/50N	10kg	±10kg		15kg
8207-30T	30t	300kN	200kg	2kN	10kg/5kg	100N/50N	10kg	±15kg		21.9kg
8207-50T	50t	500kN	400kg	4kN	20kg/10kg	200N/100N	20kg	±20kg		45.5kg

STANDARD DELIVERY

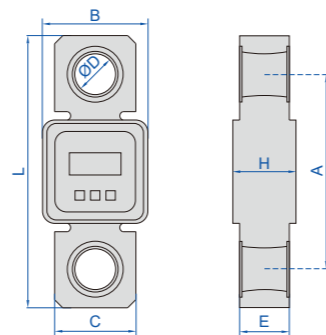
Main unit	1 pc
LCD remote controller	1 pc

OPTIONAL ACCESSORY

Hang scale pull rings	8290
-----------------------	------



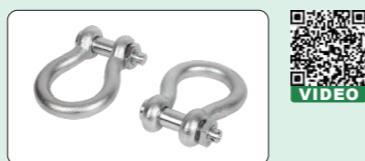
8206-3T



HANG SCALES

CAN BE CUSTOMIZED

- Unit: kg, N
- LED display, remote control
- Zero-setting, taring, accumulation
- Peak (max.) and tracking mode
- Low voltage indicator
- Built-in buzzer
- Automatic power off
- Overload alarm



hang scale pull rings (optional)

SPECIFICATION

Operation temperature	-10~55°C
Operation humidity	≤85%RH
Material	alloy steel
Power supply	3×1.5V AA batteries
Stable reading time	≤8s
Limited overload	300%FS
Maximum safe load	150%FS
Overload alarm	100%FS+9e

Code	Dimension (mm)						
	L	B	C	H	E	A	ØD
8206-05T	204	99	46	50	30	158	26
8206-1T	204	99	46	50	30	158	26
8206-2T	204	99	46	50	30	158	26
8206-3T	204	99	46	54	30	158	26
8206-5T	222	99	60	58	35	162	31
8206-10T	268	104	80	62	49	192	41
8206-15T	304	110	92	66	58	212	46.5
8206-20T	344	120	120	66	66	232	56.5
8206-30T	394	132	132	73	73	264	66
8206-50T	500	150	150	100	100	340	80

STANDARD DELIVERY

Main unit	1 pc
Remote controller	1 pc

OPTIONAL ACCESSORY

Hang scale pull rings	8290
-----------------------	------

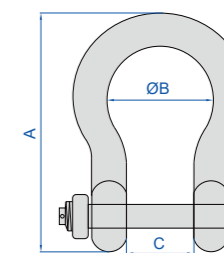
To be continued

Continued from previous page

Code	Maximum weighing		Minimum weighing		Resolution (d)		Verification interval (e)	Accuracy		Weight
	mass values	force values	mass values	force values	mass values	force values		mass values	force values	
8206-05T	0.5t	5kN	4kg	40N	0.2kg/0.1kg	2N/1N	0.2kg	±0.2kg	±1%	1.6kg
8206-1T	1t	10kN	10kg	100N	0.5kg/0.2kg	5N/2N	0.5kg	±0.5kg		2kg
8206-2T	2t	20kN	20kg	200N	1kg/0.5kg	10N/5N	1kg	±1kg		2.1kg
8206-3T	3t	30kN	20kg	200N	1kg/0.5kg	10N/5N	1kg	±1.5kg		2.3kg
8206-5T	5t	50kN	40kg	400N	2kg/1kg	20N/10N	2kg	±2kg		3.6kg
8206-10T	10t	100kN	100kg	1kN	5kg/2kg	50N/20N	5kg	±5kg		6.2kg
8206-15T	15t	150kN	100kg	1kN	5kg/2kg	50N/20N	5kg	±7.5kg		9.5kg
8206-20T	20t	200kN	200kg	2kN	10kg/5kg	100N/50N	10kg	±10kg		15kg
8206-30T	30t	300kN	200kg	2kN	10kg/5kg	100N/50N	10kg	±15kg		21.9kg
8206-50T	50t	500kN	400kg	4kN	20kg/10kg	200N/100N	20kg	±20kg		45.5kg



8290-1



HANG SCALE PULL RINGS

- Used with 8206 series and 8207 series hang scales

SPECIFICATION

Code	Material	Dimension (mm)			Adapted products
		ØB	A	C	
8290-1	alloy steel	76	169	33	8207-05T, 8207-1T, 8207-2T, 8207-3T 8206-05T, 8206-1T, 8206-2T, 8206-3T
8290-2		80	192	38	8206-5T, 8207-5T
8290-3		90	241	52	8206-10T, 8207-10T
8290-4		135	318	65	8206-15T, 8207-15T
8290-5		150	355	69	8206-20T, 8207-20T
8290-6		150	448	76	8206-30T, 8207-30T
8290-7		214	504	125	8206-50T, 8207-50T



application

STANDARD DELIVERY

Main unit	1 pair
-----------	--------



8604-40

**PORTABLE CRANE SCALE
CODE 8604-40**

ATTENTION: LOW ACCURACY

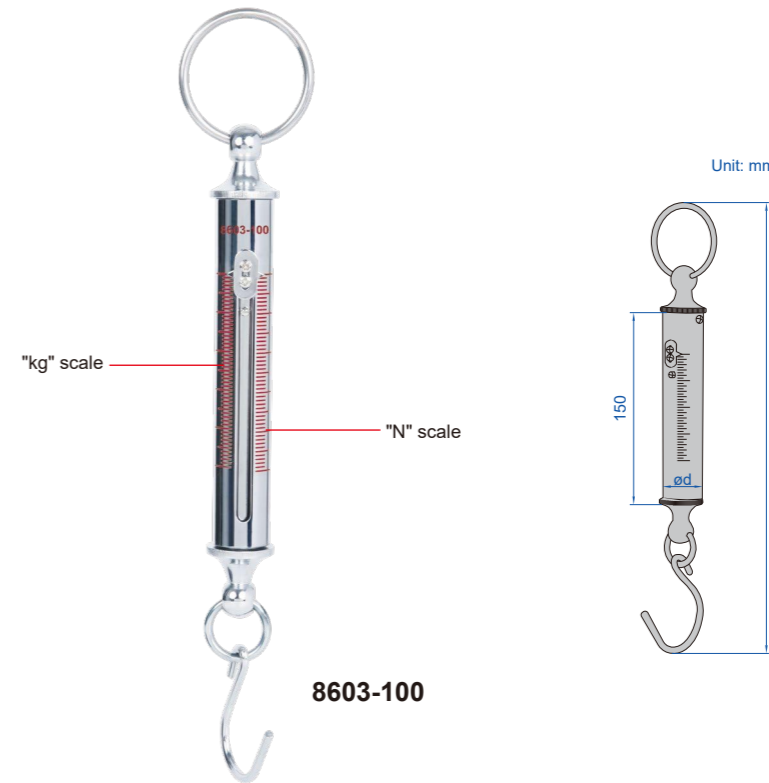
- Zero-setting, subtracting tare value
- Automatic power off
- LCD display, with backlight
- Unit: kg
- Overload indication

built-in measuring tape (included)



SPECIFICATION

Maximum weighing	40kg
Minimum weighing	1kg
Resolution (d)	50g
Accuracy	±50g
Operation temperature	-10~45°C
Operation humidity	30~90%RH
Limited load	50kg
Power supply	2×1.5V AAA batteries



8603-100

TUBE FORCE GAUGES

- Suitable for measuring weight and tensile forces

SPECIFICATION

Code	8603-10	8603-20	8603-30	8603-50
Max. test force	10N/1kg	20N/2kg	30N/3kg	50N/5kg
Resolution	0.2N/0.02kg	0.4N/0.04kg	0.5N/0.05kg	1N/0.1kg
Unit	kg, N			
Accuracy	±2%FS			
Tube diameter (Ød)	22mm	22mm	22mm	22mm
Overall length (L)	280mm	280mm	280mm	280mm
Weight	280g	280g	280g	280g
Operation temperature	-10~40°C			
Operation humidity	30~90%RH			
Maximum safe load	120%FS			
Limited overload	240%FS			

Code	8603-100	8603-200	8603-500	8603-1000
Max. test force	100N/10kg	200N/20kg	500N/50kg	1000N/100kg
Resolution	2N/0.2kg	4N/0.4kg	10N/1kg	20N/2kg
Unit	kg, N			
Accuracy	±2%FS			
Tube diameter (Ød)	25mm	32mm	50mm	50mm
Overall length (L)	340mm	340mm	455mm	455mm
Weight	480g	700g	2400g	2400g
Operation temperature	-10~40°C			
Operation humidity	30~90%RH			
Maximum safe load	120%FS			
Limited overload	240%FS			

WEIGHTS



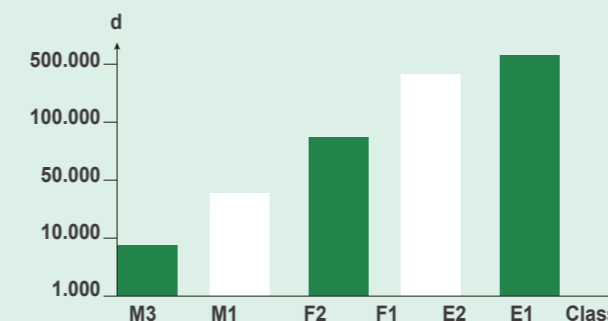
HOW TO CHOOSE NECESSARY WEIGHT YOU NEED

Maximum susceptibility, X

Weight class	E1	E2	F1	F2
m≤1g	0.25	0.9	10	-
2g≤m≤10g	0.06	0.18	0.7	4
20g≤m	0.02	0.07	0.2	0.8

Maximum polarization, μ0M, (μT)

Weight class	E1	E2	F1	F2	M1	M1-2	M2	M2-3	M3
Maximum polarization	2.5	8	25	80	250	500	800	1600	2500
A/m	2	6.4	20	64	200	400	640	1280	2000



Weight intervals $n = \frac{\text{Max. load capacity}}{\text{Scale interval } d}$		
Accuracy of the balance (scale)	Resolution of the balance: quotient of max. rang/readability	Required tolerance class of the weights
IV Ordinary accuracy scale	≤1.000d	Class M3
II Medium accuracy scale	≤10.000d	Class M1
II Precision balance	≤30.000d	Class F2
	≤100.000d	Class F1
I Analytical balance	ab 100.000d	Class E2

Density of weights material

Material	Density	Density uncertainty
	kg/m ³	kg/m ³ U(k=2)
high quality stainless steel	8000	±80
non-magnetic stainless steel	7950	±100
stainless steel	7900	±140
steel	7850	±200
cast Iron	7200	±400
aluminium	2700	±120
brass	8500	±100

OIML R111-2004 tolerance ±mg

Weight	E2	F1	F2	M1
1mg	0.006mg	0.020mg	0.06mg	0.20mg
2mg	0.006mg	0.020mg	0.06mg	0.20mg
5mg	0.006mg	0.020mg	0.06mg	0.20mg
10mg	0.008mg	0.025mg	0.08mg	0.25mg
20mg	0.010mg	0.03mg	0.10mg	0.3mg
50mg	0.012mg	0.04mg	0.12mg	0.4mg
100mg	0.016mg	0.05mg	0.16mg	0.5mg
200mg	0.020mg	0.06mg	0.20mg	0.6mg
500mg	0.025mg	0.08mg	0.25mg	0.8mg
1g	0.03mg	0.10mg	0.3mg	1.0mg
2g	0.04mg	0.12mg	0.4mg	1.2mg
5g	0.05mg	0.16mg	0.5mg	1.6mg
10g	0.06mg	0.20mg	0.6mg	2.0mg
20g	0.08mg	0.25mg	0.8mg	2.5mg
50g	0.10mg	0.3mg	1.0mg	3.0mg
100g	0.16mg	0.5mg	1.6mg	5.0mg
200g	0.3mg	1.0mg	3.0mg	10mg
500g	0.8mg	2.5mg	8.0mg	25mg
1kg	1.6mg	5.0mg	16mg	50mg
2kg	3.0mg	10mg	30mg	100mg
5kg	8.0mg	25mg	80mg	250mg
10kg	16mg	50mg	160mg	500mg
20kg	30mg	100mg	300mg	1000mg

Minimum and maximum limits for density (ρmin ρmax)

Weights	ρmin ρmax (10 ³ kg/m ³)						
	Class of weight (for class M3 no value is specified)						
	E2	F1	F2	M1	M12	M2	M23
≥100g	7.81-8.21	7.39-8.73	6.4-10.7	≥4.4	>3.0	≥2.3	≥1.5
50g	7.74-8.28	7.27-8.89	6.0-12.0	≥4.0			
20g	7.50-8.57	6.6-10.1	4.8-24.0	≥2.6			
20g	7.27-8.89	6.0-12.0	≥4.0	≥2.0			
5g	6.9-9.6	5.3-16.0	≥3.0				
2g	6.0-12.0	≥4.0	≥2.0				
1g	5.3-16.0	≥3.0					
500mg	≥4.4	≥2.2					
200mg	≥3.0						



Application scenarios :



» Scientific Research & Laboratory

Precision Instrument Calibration: High-accuracy weights (e.g., E1/E2 grade) made of non-magnetic stainless steel or titanium alloy calibrate analytical balances (0.0001g precision), ensuring reliability in physics/chemistry experiments.

Microscale Applications: Milligram/microgram weights enable nanomaterial weighing and biomedical drug dosage measurement (e.g., active pharmaceutical ingredients)



» Industrial Manufacturing & Quality Control

Production Line Calibration: F1/F2 grade weights verify industrial scales (e.g., pharmaceutical batching systems, automotive part weighing).

Counterweight & Stability Testing

Cast iron weights (1–20 tons) serve as: Crane/drawbridge counterweights;

Elevator load-safety simulators;

Shipyard hull balance adjusters



» Commercial Trade & Regulation

Fair Trade Enforcement: M1/M2 grade weights compulsorily verify supermarket scales and fuel dispensers to prevent fraud.

Logistics & Cross-Border Trade: Calibrate freight scales for accurate shipping costs; standardize mass units in mineral/agricultural exports.



» Specialized Industrial Applications

Hazardous Environments: Stainless steel weights with anti-corrosion properties calibrate explosion-proof scales in chemical/oil storage.

Customized Tooling: Hooked weights test elevator cable tension.

Slotted weights ("Test Weights") fit industrial bench scales.



» Emerging Trends & Innovations

Miniaturization & Smart Calibration: IoT-enabled weights automate batch calibration (+60% efficiency) with real-time data traceability.

Material Advancements: Carbon fiber composite weights (lightweight/high-stability) replace metals in aerospace component testing.

Global Standardization

ASTM-ISO mutual recognition reduces multinational calibration costs.

POPULAR MODEL



WEIGHTS

CAN BE CUSTOMIZED

- Class: E2, F1, F2, M1
- Supplied with manufacturer inspection certificate

Weight	Class and material						Shape
	E2 (non-magnetic stainless steel)	F1 (non-magnetic stainless steel)	F1 (304 stainless steel)	F2 (304 stainless steel)	M1 (304 stainless steel)	M1 (2Cr13 stainless steel)	
1mg	8911-1MGE2	8911-1MGF1	8911-1MGF1S	8911-1MGF2	8911-1MGM1	8911-1MGM1C	sheet
2mg	8911-2MGE2	8911-2MGF1	8911-2MGF1S	8911-2MGF2	8911-2MGM1	8911-2MGM1C	
5mg	8911-5MGE2	8911-5MGF1	8911-5MGF1S	8911-5MGF2	8911-5MGM1	8911-5MGM1C	
10mg	8911-10MGE2	8911-10MGF1	8911-10MGF1S	8911-10MGF2	8911-10MGM1	8911-10MGM1C	
20mg	8911-20MGE2	8911-20MGF1	8911-20MGF1S	8911-20MGF2	8911-20MGM1	8911-20MGM1C	
50mg	8911-50MGE2	8911-50MGF1	8911-50MGF1S	8911-50MGF2	8911-50MGM1	8911-50MGM1C	
100mg	8911-100MGE2	8911-100MGF1	8911-100MGF1S	8911-100MGF2	8911-100MGM1	8911-100MGM1C	
200mg	8911-200MGE2	8911-200MGF1	8911-200MGF1S	8911-200MGF2	8911-200MGM1	8911-200MGM1C	
500mg	8911-500MGE2	8911-500MGF1	8911-500MGF1S	8911-500MGF2	8911-500MGM1	8911-500MGM1C	
1g	8911-1GE2	8911-1GF1	8911-1GF1S	8911-1GF2	8911-1GM1	8911-1GM1C	
2g	8911-2GE2	8911-2GF1	8911-2GF1S	8911-2GF2	8911-2GM1	8911-2GM1C	
5g	8911-5GE2	8911-5GF1	8911-5GF1S	8911-5GF2	8911-5GM1	8911-5GM1C	
10g	8911-10GE2	8911-10GF1	8911-10GF1S	8911-10GF2	8911-10GM1	8911-10GM1C	
20g	8911-20GE2	8911-20GF1	8911-20GF1S	8911-20GF2	8911-20GM1	8911-20GM1C	
50g	8911-50GE2	8911-50GF1	8911-50GF1S	8911-50GF2	8911-50GM1	8911-50GM1C	
100g	8911-100GE2	8911-100GF1	8911-100GF1S	8911-100GF2	8911-100GM1	8911-100GM1C	
200g	8911-200GE2	8911-200GF1	8911-200GF1S	8911-200GF2	8911-200GM1	8911-200GM1C	
500g	8911-500GE2	8911-500GF1	8911-500GF1S	8911-500GF2	8911-500GM1	8911-500GM1C	
1kg	8911-1KGE2	8911-1KGF1	8911-1KGF1S	8911-1KGF2	8911-1KGM1	8911-1KGM1C	
2kg	8911-2KGE2	8911-2KGF1	8911-2KGF1S	8911-2KGF2	8911-2KGM1	8911-2KGM1C	
5kg	8911-5KGE2	8911-5KGF1	8911-5KGF1S	8911-5KGF2	8911-5KGM1	8911-5KGM1C	
10kg	8911-10KGE2	8911-10KGF1	8911-10KGF1S	8911-10KGF2	8911-10KGM1	8911-10KGM1C	
20kg	8911-20KGE2	8911-20KGF1	8911-20KGF1S	8911-20KGF2	8911-20KGM1	8911-20KGM1C	
25kg	8911-25KGE2	8911-25KGF1	8911-25KGF1S	8911-25KGF2	8911-25KGM1	8911-25KGM1C	



8910-5KGF1

WEIGHT SETS

- Class: E2, F1, F2, M1
- Supplied with manufacturer inspection certificate

CLASS AND MATERIAL

Specification	Code				
	E2 (non-magnetic stainless steel)	F1 (non-magnetic stainless steel)	F1 (304 stainless steel)	F2 (304 stainless steel)	M1 (304 stainless steel)
1mg~100g	8910-100GE2	8910-100GF1	8910-100GF1S	8910-100GF2	8910-100GM1
1mg~200g	8910-200GE2	8910-200GF1	8910-200GF1S	8910-200GF2	8910-200GM1
1mg~500g	8910-500GE2	8910-500GF1	8910-500GF1S	8910-500GF2	8910-500GM1
1mg~1kg	8910-1KGE2	8910-1KGF1	8910-1KGF1S	8910-1KGF2	8910-1KGM1
1mg~2kg	8910-2KGE2	8910-2KGF1	8910-2KGF1S	8910-2KGF2	8910-2KGM1
1mg~5kg	8910-5KGE2	8910-5KGF1	8910-5KGF1S	8910-5KGF2	8910-5KGM1

SPECIFICATION AND SHAPE

Weight	Specification					
	1mg~100g	1mg~200g	1mg~500g	1mg~1kg	1mg~2kg	1mg~5kg
1mg	●	●	●	●	●	●
2mg	●●*	●●*	●●*	●●*	●●*	●●*
5mg	●	●	●	●	●	●
10mg	●	●	●	●	●	●
20mg	●●*	●●*	●●*	●●*	●●*	●●*
50mg	●	●	●	●	●	●
100mg	●	●	●	●	●	●
200mg	●●*	●●*	●●*	●●*	●●*	●●*
500mg	●	●	●	●	●	●
1g	■	■	■	■	■	■
2g	■●*	■●*	■●*	■●*	■●*	■●*
5g	■	■	■	■	■	■
10g	■	■	■	■	■	■
20g	■●*	■●*	■●*	■●*	■●*	■●*
50g	■	■	■	■	■	■
100g	■	■	■	■	■	■
200g	■	■●*	■●*	■●*	■●*	■●*
500g	■	■	■	■	■	■
1kg	■	■	■	■	■	■
2kg	■	■	■	■●*	■●*	■●*
5kg	■	■	■	■	■	■
Quantity	21 pcs	23 pcs	24 pcs	25 pcs	27 pcs	28 pcs
Total range	1mg~211.11g	1mg~611.11g	1mg~1111.11g	1mg~2111.11g	1mg~6111.11g	1mg~11111.11g

● sheet ■ cylinder ●* sheet, with mark ■* cylinder, with mark



8912-10KM1



aluminum box (included)



STAINLESS STEEL WEIGHTS

- Weight range: 500g~25kg
- Class: F1, F2, M1
- Supplied with manufacturer inspection certificate

SPECIFICATION

Weight	Class and material		
	F1 (304 stainless steel)	F2(304 stainless steel)	M1(304 stainless steel)
500g	8912-500F1	8912-500F2	8912-500M1
1kg	8912-1KF1	8912-1KF2	8912-1KM1
2kg	8912-2KF1	8912-2KF2	8912-2KM1
5kg	8912-5KF1	8912-5KF2	8912-5KM1
10kg	8912-10KF1	8912-10KF2	8912-10KM1
15kg	8912-15KF1	8912-15KF2	8912-15KM1
20kg	8912-20KF1	8912-20KF2	8912-20KM1
25kg	8912-25KF1	8912-25KF2	8912-25KM1



8913-10M2



CAST IRON WEIGHTS

- Weight range: 1kg~1000kg
- Class: M1, M2
- Supplied with manufacturer inspection certificate

SPECIFICATION

Weight	Class		Weight	Class	
	M1	M2		M1	M2
1kg	8913-1M1	8913-1M2	25kg	8913-25M1	8913-25M2
2kg	8913-2M1	8913-2M2	50kg	8913-50M1	8913-50M2
5kg	8913-5M1	8913-5M2	100kg	8913-100M1	8913-100M2
10kg	8913-10M1	8913-10M2	200kg	8913-200M1	8913-200M2
20kg	8913-20M1	8913-20M2	500kg	8913-500M1	8913-500M2
			1000kg	8913-1000M1	8913-1000M2



8914-1KF2



8914-2KF2



SINGLE HOOK WEIGHTS

CAN BE CUSTOMIZED

ATTENTION: THE GRAVITATIONAL ACCELERATION G OF THE FORCE WEIGHTS IS TAKEN AS 9.8m/s²

- Weight range: 1g~20kg/1N~200N
- Class: F1, F2, M1
- Supplied with manufacturer inspection certificate

SINGLE HOOK WEIGHTS FOR MASS VALUES

Weight	Class and material		
	F1 (304 stainless steel)	F2(304 stainless steel)	M1(2Cr13 stainless steel)
1g	8914-1GF1	8914-1GF2	8914-1GM1
2g	8914-2GF1	8914-2GF2	8914-2GM1
5g	8914-5GF1	8914-5GF2	8914-5GM1
10g	8914-10GF1	8914-10GF2	8914-10GM1
20g	8914-20GF1	8914-20GF2	8914-20GM1
50g	8914-50GF1	8914-50GF2	8914-50GM1
100g	8914-100GF1	8914-100GF2	8914-100GM1
200g	8914-200GF1	8914-200GF2	8914-200GM1
500g	8914-500GF1	8914-500GF2	8914-500GM1
1kg	8914-1KGF1	8914-1KGF2	8914-1KGM1
2kg	8914-2KGF1	8914-2KGF2	8914-2KGM1
5kg	8914-5KGF1	8914-5KGF2	8914-5KGM1
10kg	8914-10KGF1	8914-10KGF2	8914-10KGM1
15kg	8914-15KGF1	8914-15KGF2	8914-15KGM1
20kg	8914-20KGF1	8914-20KGF2	8914-20KGM1

SINGLE HOOK WEIGHTS FOR FORCE VALUES

Weight	Class and material		
	F1 (304 stainless steel)	F2(304 stainless steel)	M1(2Cr13 stainless steel)
1N	8914-1NF1	8914-1NF2	8914-1NM1
2N	8914-2NF1	8914-2NF2	8914-2NM1
5N	8914-5NF1	8914-5NF2	8914-5NM1
10N	8914-10NF1	8914-10NF2	8914-10NM1
20N	8914-20NF1	8914-20NF2	8914-20NM1
50N	8914-50NF1	8914-50NF2	8914-50NM1
100N	8914-100NF1	8914-100NF2	8914-100NM1
200N	8914-200NF1	8914-200NF2	8914-200NM1



GSM (GRAMS PER SQUARE METER) CUTTER CODE 8390-100

- Suitable for cutting round samples of woolen, cotton, knitted fabrics, etc.

SPECIFICATION

Area	100cm ²
Thickness	4mm
Blade	4 pcs
Material	aluminum
Mat	rubber mat
Dimension (L×W×H)	160×160×115mm
Weight	2kg

MOISTURE ANALYZERS

8701-RM30



High-precision/high-sensitivity sensors ensure accuracy, stability and fast response to measurement tasks

High-precision humidity sensor can effectively reduce the impact of environmental humidity on weighing. High-sensitivity temperature sensor, effectively reducing the sensitivity to temperature changes

Outstanding design with high cost performance, excellent completion of various weighing tasks

- LCD display is used, the screen is clear and bright, the layout is reasonable, and it is convenient for users to read the weighing results
- The ring-shaped halogen lamp heating method greatly shortens the drying time, and also has the characteristics of uniform heating, cleanliness, high efficiency, energy saving, and durability.
- The fast analysis, advanced halogen lamp technology is the key to ensure fast heating and precise temperature control. The final measurement results in the shortest possible time with consistently accurate moisture results.
- Quick operation, the intuitive user interface can make the user quickly familiar with the operation process of the instrument, one key to start the dry method, one key to enter the temperature and time adjustment and the buzzer prompts when the heating is completed.
- Built-in RS232 communication interface, which can realize the connection between the balance and the computer and micro-printer.
- The weighing results can also be transferred to other open applications in a PC.

MOISTURE ANALYZERS

DATA OUTPUT

- LCD screen
- High sensitivity temperature and humidity sensor
- Ring halogen lamp heating evenly, shorten drying time



calibration weight
(included)



STANDARD DELIVERY

Main unit	1 pc
Weight	1 pc

OPTIONAL ACCESSORY

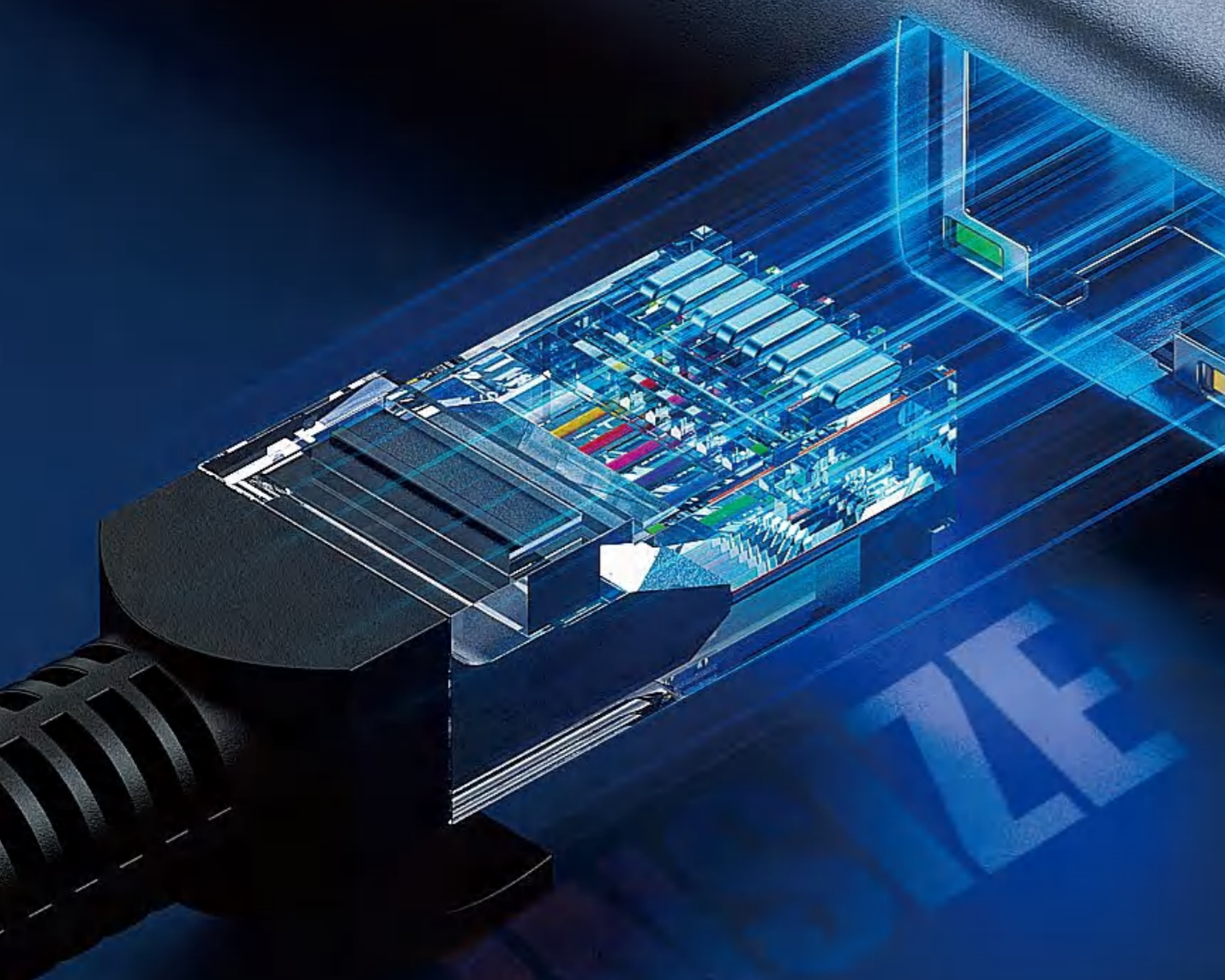
RS232 cable	8304-CABLE *
Printer	8303-PRINTER

*Used to connect with computers

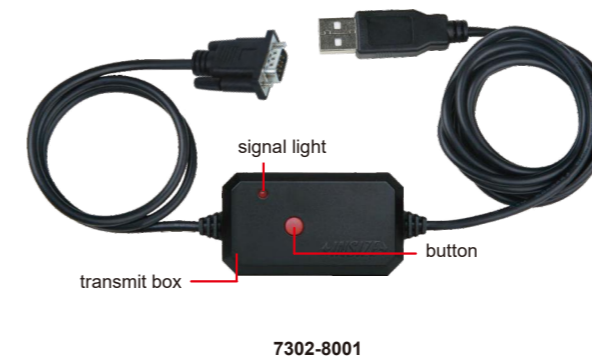
SPECIFICATION

Code	8701-RM20	8701-RM30
Maximum weighing	120g	120g
Resolution (d)	5mg	1mg
Accuracy for moisture	sample < 10g ±10% sample ≥ 10g ±5%	±0.5% ±0.3%
Operation temperature	13~25°C	
Verification interval	2.5s	
Warm-up time	20~30 minutes	
Weighing pan size	Ø90mm	
Heating source	halogen lamp (450W)	
Range for heating temperature	60~200°C	
Heating time setting	0~99 minutes	
Heating mode	standard heating, step heating, rapid heating	
Shutdown mode	automatic shutdown, manual shutdown, timed shutdown	
Output	RS232C	
Power supply	220V, 50/60Hz	
Dimension (L×W×H)	330×210×340mm	

DATA TRANSMISSION

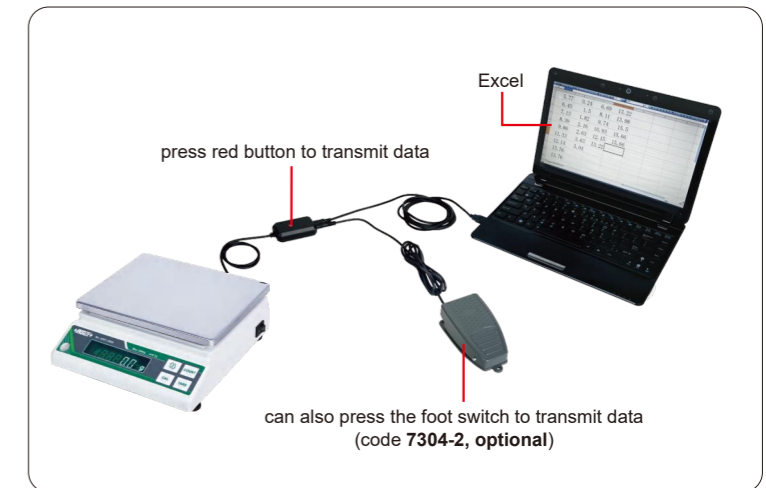


DATA OUTPUT CABLES (KEYBOARD FORMAT)








7302-8001

application



- Recognized as HID keyboard device by computer, no need to install drivers and softwares
- Data can be transmitted to Excel, Word, txt and other files (press transmit button, which is recognized by the computer as keyboard input data and press enter key, such as 1.34 €)
- For any softwares which can receive keyboard signal
- Optional accessory: foot switch (code 7304-2)

Code	Description	Plug	Connecting with measuring tool	Transmit data
7302-8001	cable for weighing scales (length 2.5m)		  <p>for 8301 and 8305 series electronic balances</p>	<ul style="list-style-type: none"> ▪ Press the "↵" button of electronic balance, can also press the button of the transmit box, or press the foot switch ▪ Data is transmitted once, the signal light of the transmit box flashes once
			  <p>for 8001-6D, 8001-15D, 8001-30D series weighing scales and 8501 series platform scales</p>	<ul style="list-style-type: none"> ▪ Press the button of the transmit box, or press the foot switch ▪ Data is transmitted once, the signal light of the transmit box flashes once

WIRELESS DATA TRANSMISSION SYSTEM

- Through wireless transmission, the readings of measuring tools can be transmitted to computers or mobile phone
- Wireless protocol, conforming to IEEE802, 2.4GHz band
- Transmission distance is 15 meter (under the condition of no obstruction and no electromagnetic interference)
- Optional accessory: receiver (code 7315-2/3/6/7/8/9)

Code	Description	Plug	Connecting with measuring tool	Transmit data
7315-8001	transmitter for electronic balances		 for 8001-6D, 8001-15D, 8001-30D series weighing scales and 8501 series platform scales	<ul style="list-style-type: none"> ▪ Press the button of the transmitter ▪ Data is transmitted once, the signal light of the transmitter flashes once
7315-8301	transmitter for electronic balances		 	<ul style="list-style-type: none"> ▪ Press the "μ" button of the electronic balances, can also press the button of the transmitter ▪ Data is transmitted once, the signal light of the transmitter flashes once

Receiver (text format, virtual com port)

- For computers with windows system
- Text format virtual com port, converted to keyboard format with supplied software
- Supplied with Excel directional input software
- Measurement data can be transmitted to excel, word, txt etc. and any software which receives keyboard signal

Code	Product	Description	Remark
7315-2		multichannel receiver	connected with maximum 16 transmitters, each of them has unique identification code

Excel directional input software

- Supplied with 7315-2 receiver
- The readings of measuring tools can be transmitted to the designated area of excel which facilitates data management and improves efficiency

Excel directional input software (included in 7315-2), application example 1

Set the display area of caliper at B4-B9.
the readings of caliper are displayed at B4, B5...B9.

Set the display area of micrometer at C4-C9,
the readings of micrometer are displayed at C4, C5... C9

Set the display area of height gauge at D4-D9,
the readings of height gauge are displayed at D4, D5... D9.

	A	B	C	D
1	Project	Length	Width	Height
2	Dimension and Tolerance	50±0.05	24±0.01	10+0.05/-0.06
3	Measuring tool	Caliper	Micrometer	Height gage
4	1	50.02	24.004	9.98
5	2	50.01	24.010	10.01
6	3	49.99	23.990	10.02
7	4	50.00	23.996	9.99
8	5	50.04	24.000	10.01
9	6	Channel 1	Channel 2	Channel 3

serial of workpieces the next data display area is indicated in green

Excel directional input software (included in 7315-2), application example 2

Set the display area of micrometer at B4-C9,
data input is from the left to the right.

the readings of micrometer are displayed at B4, C4, B5, C5... B9, C9.

Set the display area of caliper at D4-D9,
the readings of caliper are displayed at D4, D5... D9.

Set the display area of depth gauge at E4-E9,
the readings of depth gauge are displayed at E4, E5... E9.

	A	B	C	D	E
1	Project	External diameter1	External diameter2	Length	Depth
2	Dimension and Tolerance	Φ23+0.01/-0.02	Φ21+0.01/-0.02	50±0.04	28±0.05
3	Measuring tool	Micrometer	Micrometer	Caliper	Depth gage
4	1	23.010	21.008	49.98	28.01
5	2	23.010	21.000	49.98	27.98
6	3	22.999	21.000	50	28
7	4	23.007	20.998	50	28
8	5	23.000	20.985	50.01	28.01
9	6	23.008	Channel 1	Channel 2	Channel 3

serial of workpieces the next data display area is indicated in green



MEASUREMENT SOLUTION PROVIDER

www.insize.com



+86-512-68099993

sales@insize.com

80 Xiangyang Road, Suzhou New District, 215009 China